



Window planet

Engineered System Windows & Doors
aluminium-upvc

Better Living...

by
TEAM CLASSIC

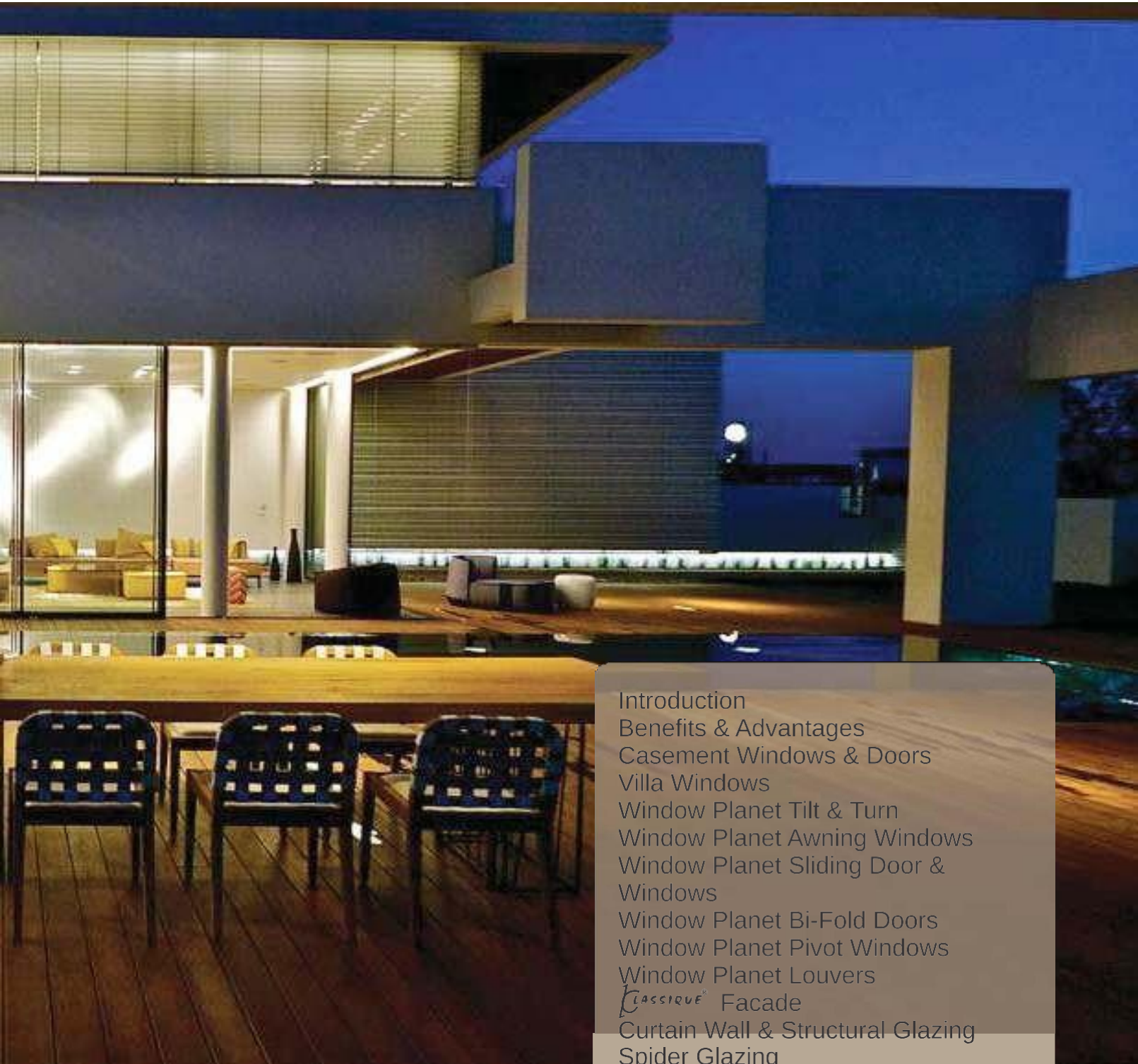


SEE and



Window planet high performance aluminium doors and windows are one of the easiest ways to improve the comfort and energy efficiency of your home. Window Planet is committed to make its products as energy efficient as possible. Window Planet's range of windows and doors provide optimal weather sealing, functionality and aesthetics and can your home meet or exceed efficiency standards. Knowing what to start and what to look for, can be difficult. Window Planet has produced this handbook, designed to arm you with all the information required to make informed decisions on how best to find windows and doors that suit your requirement.

THINK SMARTER



- Introduction
- Benefits & Advantages
- Casement Windows & Doors
- Villa Windows
- Window Planet Tilt & Turn
- Window Planet Awning Windows
- Window Planet Sliding Door & Windows
- Window Planet Bi-Fold Doors
- Window Planet Pivot Windows
- Window Planet Louvers
- CLASSIQUE Facade
- Curtain Wall & Structural Glazing
- Spider Glazing
- Window Planet Cladding
- Skylights
- Aluminum v/s other material windows
- FAQ's

WINDOW PLANET CASEMENT WINDOWS AND DOORS

Casement Windows are a range of very basic windows offering inward - outward opening. This style of windows has multiple configuration options such as fixed, side-hung and top-hung in which exclusive European hardware is used. They can be installed as a combination of fixed and opening or even as a complex bay window style.

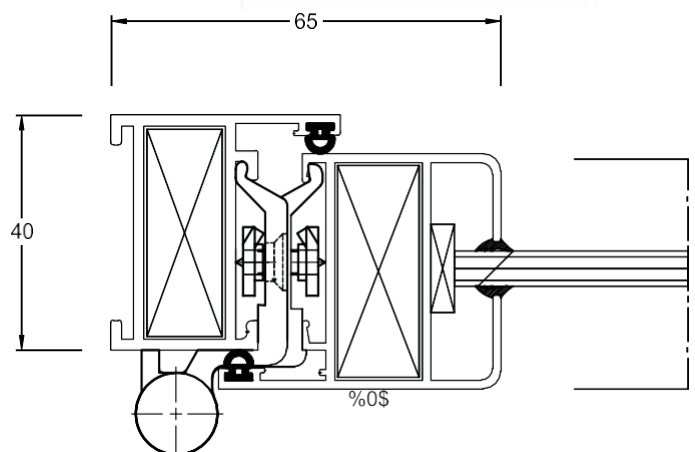
The main advantage of these windows is the beading for glass fittings which have been provided inside and not outside for safety reasons. Also, the systems are available in single as well as multi-point locking mechanism. Tough material used to make these windows, make them almost maintenance free.



Mercury Window

Product features:

- Range of window configuration in either open and fixed variants.
- Single sash panel size upto 600mmX1500mm.
- Floating mullion possible for wider- clear opening.
- Flexibility to use 5mm and 6mm glass thickness.
- Beading less sash possible
- 100% airtight.
- Compatible for euro groove hardware.
- Single point and multi point locking possible.
- 65mm Sightline.
- Suitable for casement inward and outward windows in all variants.

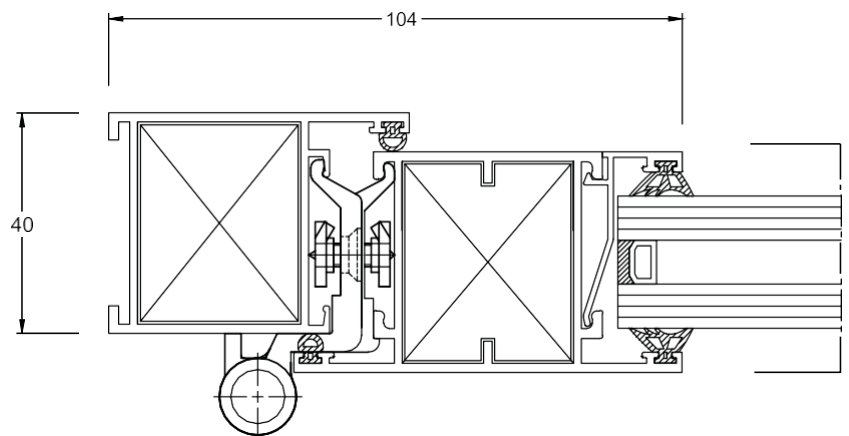




Mercury Doors

Product features:

- Range of windows/doors configuration in
- either open and fixed variants.
- Single sash panel size upto 1000mmX2200 mm.
- Floating mullion possible for wider- clear opening
- Flexibility to use 5mm to 24mm glass thickness.
- Beading less door sash possible. 100% airtight.
- Multi point / cylindrical mortise locking possible.
- Suitable for casement inward and outward doors/windows in all variants.
- 100mm sightline.





Introduction

Transforming the modern generation aluminium doors n windows, **Window Planet**, formerly known as classic aluminium works pvt.ltd., established in 1995 has a vision to be one of the top ranked international door- window-facade company and infrastructure facilitator. From last 26 years , our company has completed all the projects with excellence and precision. Our company. the leading door-window manufacturer and building facade provider and installer, fulfil all kinds of industrial, in every sector and residential fenestration related aluminium doors, windows and building façade requirements.

Following the trend, classic aluminium works pvt.ltd. presents Window Planet Systems, our new range of products that epitomize the very best of design and innovation, an exquisite and extraordinary range of Smart & Engineered Systems doors and windows to make your world inspiring and uplifting.

Facility:

classic Window Planet India plant is spread over in 80,000 sq. ft covered area fulfilling all European standards and state-of-art facilities. It is ideally situated on Nh 8, Mahindra world city, ajmer road, Jaipur. Window Planet has highly skilled production team, all types of trained professionals under one roof, make up a perfect team to manufacture an engineered doors: windows. Along with it, a state-of-art Wood coating and Powder Coating plant is set-up. The production capacity of the plant is more than 100 windows per day. To achieve the desired production, we have world's best machinery, CNC automatic double-head cutter, Copy Router end Milling machine, pneumatic Punching Machines and all types of machines required for good quality and precision.



Benefits

Durability and Low Maintenance

The corrosion resistant qualities of aluminium provide a low maintenance frame and is resistant to weathering under any harsh environmental conditions. Unlike many other materials, it will not swell, crack, split or warp over time; ensuring an extended product life. Aluminium can be left in its finished condition. For additional protection or decorative finishes, aluminium can be anodised or painted.

Thermal Performance

High performance aluminium windows are able to meet or exceed energy efficiency standards. Aluminium windows and doors can easily achieve improvement in heat gain and heat loss through windows by 60% rivalling more expensive timber and PVC equivalents.

Affordability

Aluminum frames can be significantly less expensive than other framing options, providing a strong yet economical window and door solution, while also achieving excellent energy outcomes.

Reduces Carbon Footprint

The use of aluminium double glazed windows delivers CO2E equivalent savings of almost three times that required to produce the aluminium frames, just within the first year. Over the life of the building, energy savings outweigh the initial energy input by well over 100 times. For homes with electrical heating or cooling for homes in hot climates, savings run into multiples of close to 300 times.

Design Flexibility.

The inherent strength and flexibility for aluminum to be manufactured to exacting specifications means you are limited only by your imagination. With an endless array of systems, finishes and glass options, aluminium offers a vast range of possibilities from the economical to most elaborate systems while also delivering excellent thermal performance.

Finishes

A range of finishing options ensures aluminium windows and doors can be perfectly matched to any decor. Powder coating provides an attractive finish to aluminium frames and once coated, does not require repainting. Anodising treatment can provide excellent corrosion resistance and a wide range of colour options. Such finishes are widely used for both interior and exterior applications.

Recyclability

Aluminium has one of the highest recycling rates of any metal and is an environmentally sustainable material. Recycling of aluminum requires only five percent of the initial energy consumed to create it. This inherent property differentiates from other framing materials reinforcing its sustainable credentials.

Short Payback Period

Payback periods on high performance aluminum windows are typically far shorter than for other alternatives which offer only marginally improved performance at a far higher price. Such options can take several decades to deliver a payback.

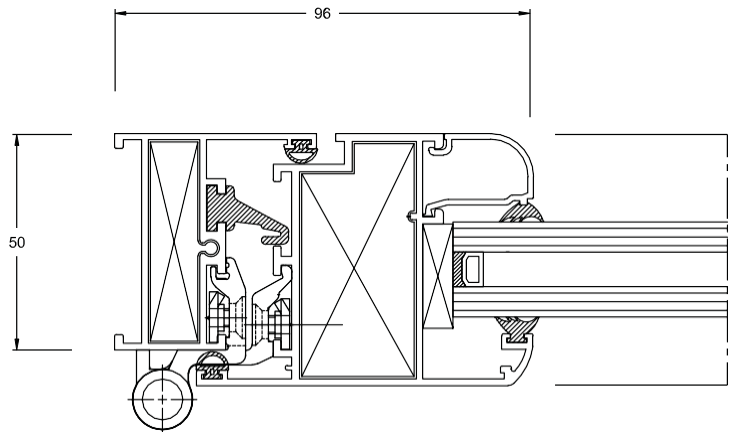
Advantages

- ✓ Meets or exceeds energy standards when combined with energy efficient glass.
- ✓ Low maintenance and durable won't swell, crack, split or warp.
- ✓ Reduced carbon footprint with energy savings outweighing initial energy input by over 100 times.
- ✓ Corrosion resistant qualities and resistance to weathering under a range of harsh environmental conditions,
- ✓ Economical framing solutions that can be less expensive than other framing options.
- ✓ Strong and durable providing a range of long lasting design options
- ✓ Environmentally sustainable material with one of the highest recycling rate of any metal.
- ✓ Attractive alternative-timber look can be achieved.
- ✓ Range of coloured finishes available to match your home's decor.
- ✓ Significant performance improvements provide a short payback period.

Venus Doors & Windows

Product features:

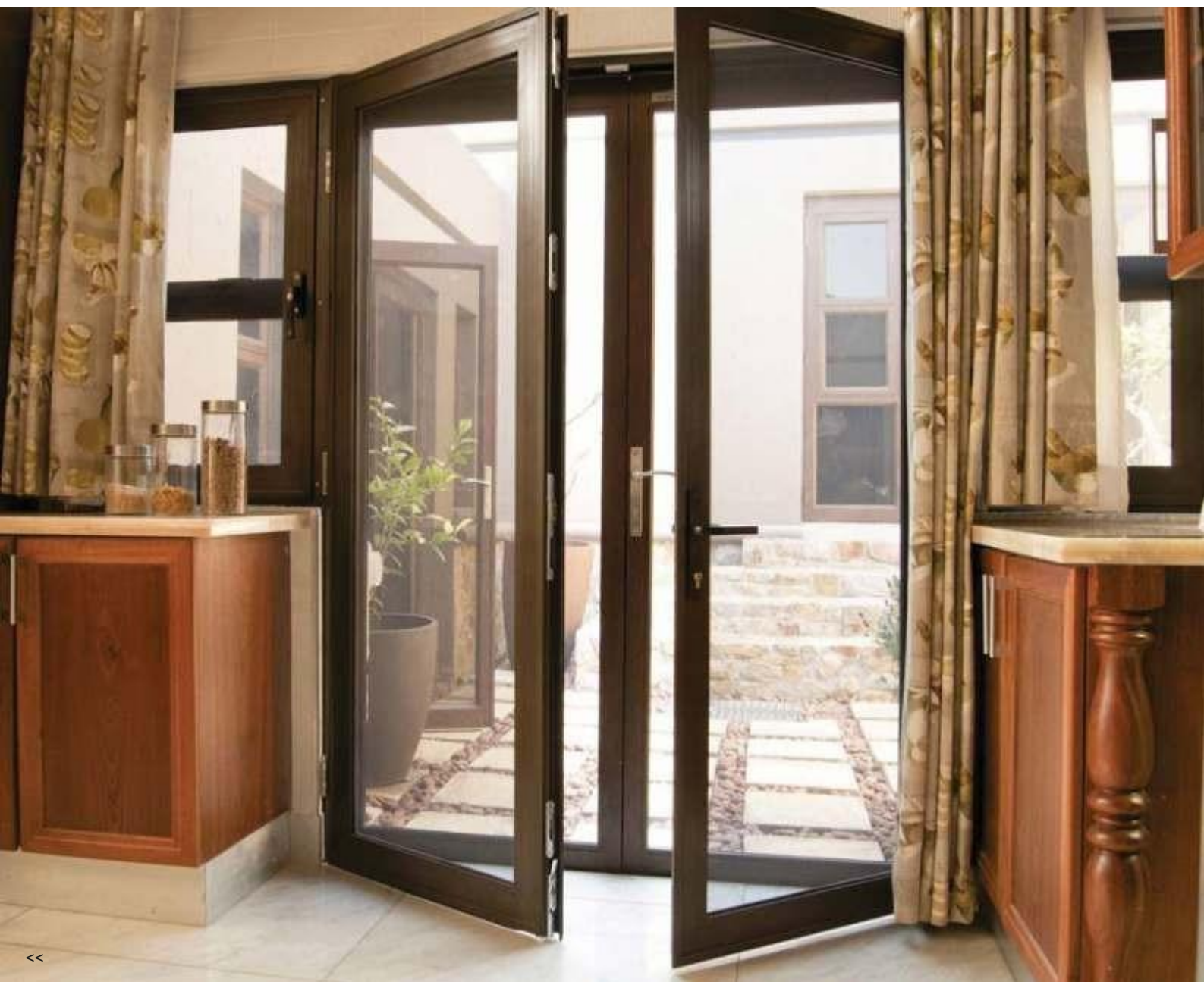
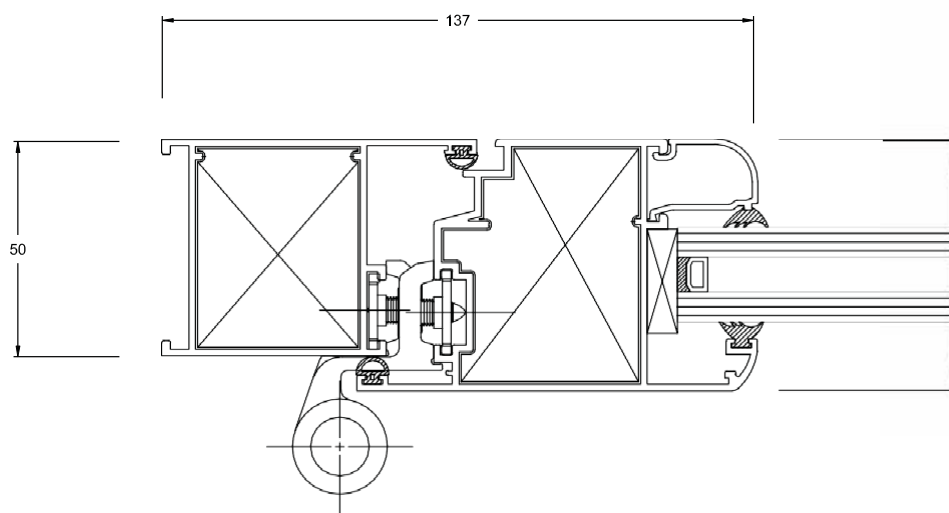
- Range of door/windows configuration in either open and fixed variants.
- Single sash panel size upto 1200mmX3000mm.
- Floating mullion possible for wider- clear opening.
- Flexibility to use 5mm to 42mm glass thickness.
- 100% airtight.
- Compatible for euro groove hardware.
- Single point and multi point locking possible
- 100mm and 140 mm Sightline.
- Suitable for casement inward and outward doors/windows in all variants.
- Tilt n Turn variant possible for ventilation.



Decisive advantages:

- Total flexibility for all projects application.
- Can achieve solutions in the most of demanding situation.
- Smooth and effortless operations.
- Innovative design feature.
- Reduced reliance on orientation, meaning greater design freedom.
- Decreased environmental impact.
- Improved well being through increased exposure to natural day light.
- A substantial reduction in condensation with the installation of double glazing.
- Integration of indoor and outdoor areas, perfect for entertaining.





<<



WINDOW PLANET VILLA WINDOWS (TYPE OF CASEMENT WINDOW)

With Window Planet affordable and ultra-modern doors and windows, you can turn your villa into a recreation far away from the urban hustle, noise and stress. Window Planet products will turn your villa into a timeless beauty and gives you a sense of traditional craftsmanship



Window Planet
presents
Villa Windows with
integrated fly mesh shutter
& security grills.

WINDOW PLANET TILT TURN PLUTO



FIXED

In the fixed position, the window acts as an aesthetically pleasing picture window. The standard multi point locking system which engages around the entire perimeter of the window sash, ensures a weatherproof seal in even the harshest environments



TURN

The benefit of the inward turning position allows for easy and quick cleaning, even on multiple storey buildings. This eliminates the need for external cleaning all together. This function creates easy escape during fire or emergency.



TILT

The tilt position tilts the top, the window sash inward which allows gentle air movement but still provides security against intruders. In the tilted operation, the limiter arm allows for ventilation with the security of locking points.

Tilt-n-Turn put a modern twist on a classic European window. These units have special hardware that allows them to operate as a top-venting hopper window or an inswing casement. Tilt-n-Turn provide exceptional ventilation with classic style. The inward swinging window is operated with only one handle for an easy to use 3-position operation: locking, opening & tilting.



Product Features

- Application-Tilt-n-Turn windows and tilt and turn doors can be used for any commercial or residential application.
- Single Handle Operation- Tilt-n-Turn offers three positions: Open, Tilt and Lock.
- Multi-point locking system- Firmly closes the sash from all sides ensuring a tight weather and intruder repellent seal.
- Finishes-**Window Planet** offers a wide variety of standard finishes as well as custom finishes for your tilt and turn windows and doors.
- Dynamic - Freedom of design, i.e. ability to manufacture large operable units. Tilt-n-Turn can be integrated with curtain wall, other window types and doors.
- Customization - Endless colors, wood veneers and hardware finishes available.
- Versatility-Multi-functioning operation.
- Security 360 degree multi-point locks. Structurally reinforced frames, sashes and mullions.

WINDOW PLANET AWNING WINDOWS




Outward opening windows are highly regarded the world over. Easy operation and the optimal use of space, thanks to their space-saving opening manner make these kinds of windows attractive. This modern, energy efficient Window Planet Awning window is a smart choice allowing ventilation, even when it's raining. Even under an increased wind load, e.g. in coastal areas, Awning windows can fully utilise their advantages. Another feature of the awning window is that it can be left partly open during inclement weather to allow continuous ventilation, while at the same time not letting in any of nature's undesirable elements.

Features

- Bulb seals for high wind locations.
- Internal aluminium insect/fly screens.
- Excellent ventilation control.
- Continuous "bulb-seal" gaskets system provides superior weather proofing and cost-effective acoustic qualities.
- Stainless steel stays and secure lever operated handle.
- A slimline chain winder fitted to all awning windows deliver fingertip control while a dedicated transom assists with flyscreening.

Window Planet Sliding Doors & Windows





Window Planet aluminium sliding window is both functional and durable.

Window Planet sliding windows have a benefit of easy operation while being timeless in design making them economical windows of choice.

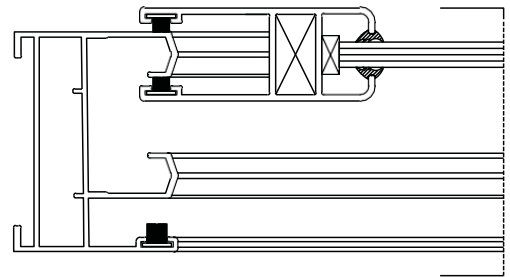
As an aluminium sliding window manufacturer, we can provide a wide variety of good looking aluminum sliding windows and doors to satisfy your aesthetic needs. Standard sliding windows are both functional and durable, and can suit most architectural styles. We offer various systems for sliding doors & windows suiting your requirements keeping in mind wind pressure, dead load and movement of inertia. Our sliding systems are flexible for 5mm- 30mm glass with European hardware. Built from top grade aluminum, sliding windows are available in a choice of styles and finishes, and are designed with security in mind. The ultimate low maintenance window style due to few moving parts, the sliding window is a classic design that will suit most architectural styles. The majority of sliding window range can be double glazed. The sliding windows has various sized frame and can integrate with doors awning and fixed windows with seamless transition.



Window Planet - MERCURY - SLD

Product Features

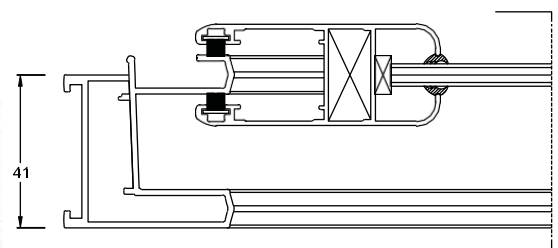
- A range of window configuration in either sliding or sliding cum fixed variants.
- Panel size upto 900 mm X 1800 mm.
- 55mm interlock sightline.
- Innovative design feature.
- 2 and 3 track options.
- Inline sliding operation.
- Suitable for 6mm thick glass.
- Integrated screen sash.
- Manual and automatic concealed locking.



Window Planet - VENUS - SLD

Product Features

- A range of windows configuration in either sliding or sliding cum fixed variants.
- Panel size upto 1000 mm X 2400 mm.
- 65mm interlock sightline.
- 2 and 3 track options.
- Suitable for 6mm to 18 mm glass.
- Integrated screen sash.
- Manual and automatic concealed locking.
- Add-on integrated adaptor system to increase KPA
- Adjustable trolley bearing.
- Panel weight upto 180 kg.

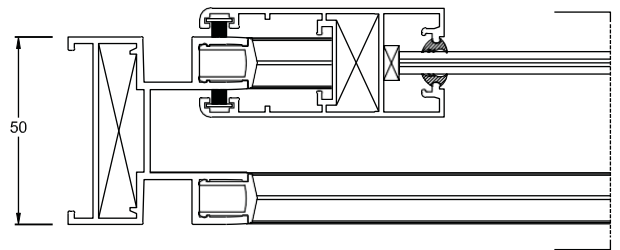




Window Planet - EARTH - SLD

Product Features

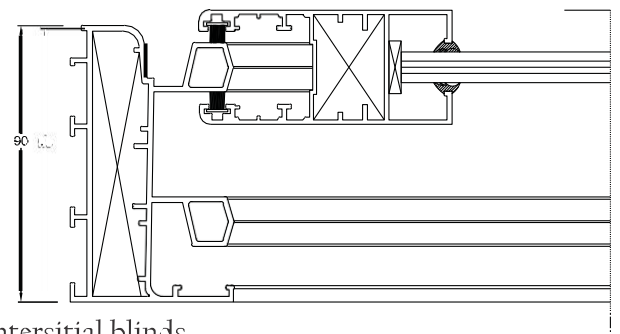
- Panel size upto 1200 mm X 2400 mm.
- 65mm interlock sightline
- panel weight upto 200 kg.
- 2 and 3 track options
- No glazing bead.
- Suitable for 6mm to 20mm thick glass.
- Multi point keyed lever handle possible.
- Integrated sliding mosquito screen sash.
- Add-on integrated adaptor system to increase KPA.
- Aluminium anodised track with adjustable beads.



Window Planet - JUPITER - SLD

Product Features

- Panel size upto 1500 mm X 3000 mm.
- 82mm interlock sightline
- Panel weight upto 250 kg.
- 2 and 3 track options
- No glazing bead.
- Glazing upto 33mm suitable for specialist and safety glazing and intersitial blinds.
- Multi point keyed lever handle possible.
- Integrated sliding mosquito screen sash.



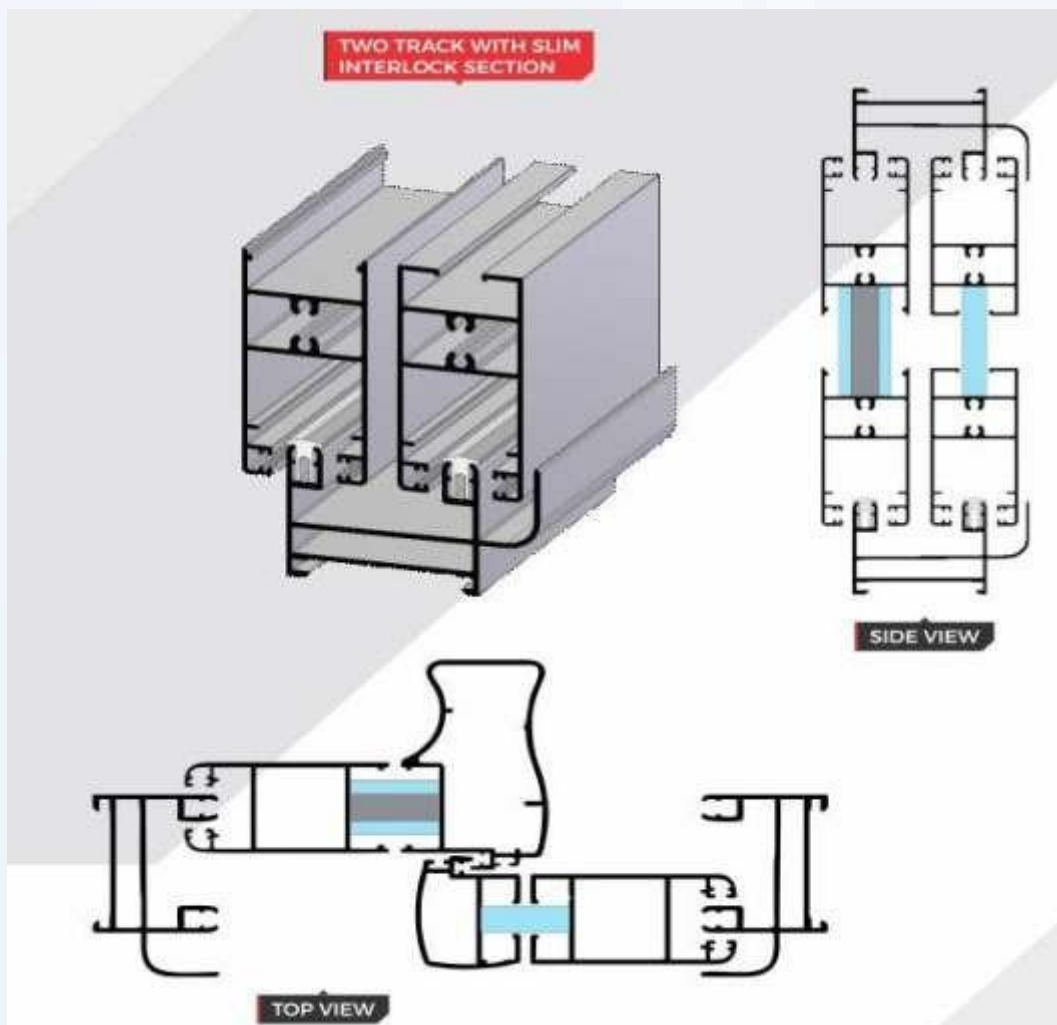
Window Planet - JUPITER - Slim Type SLD

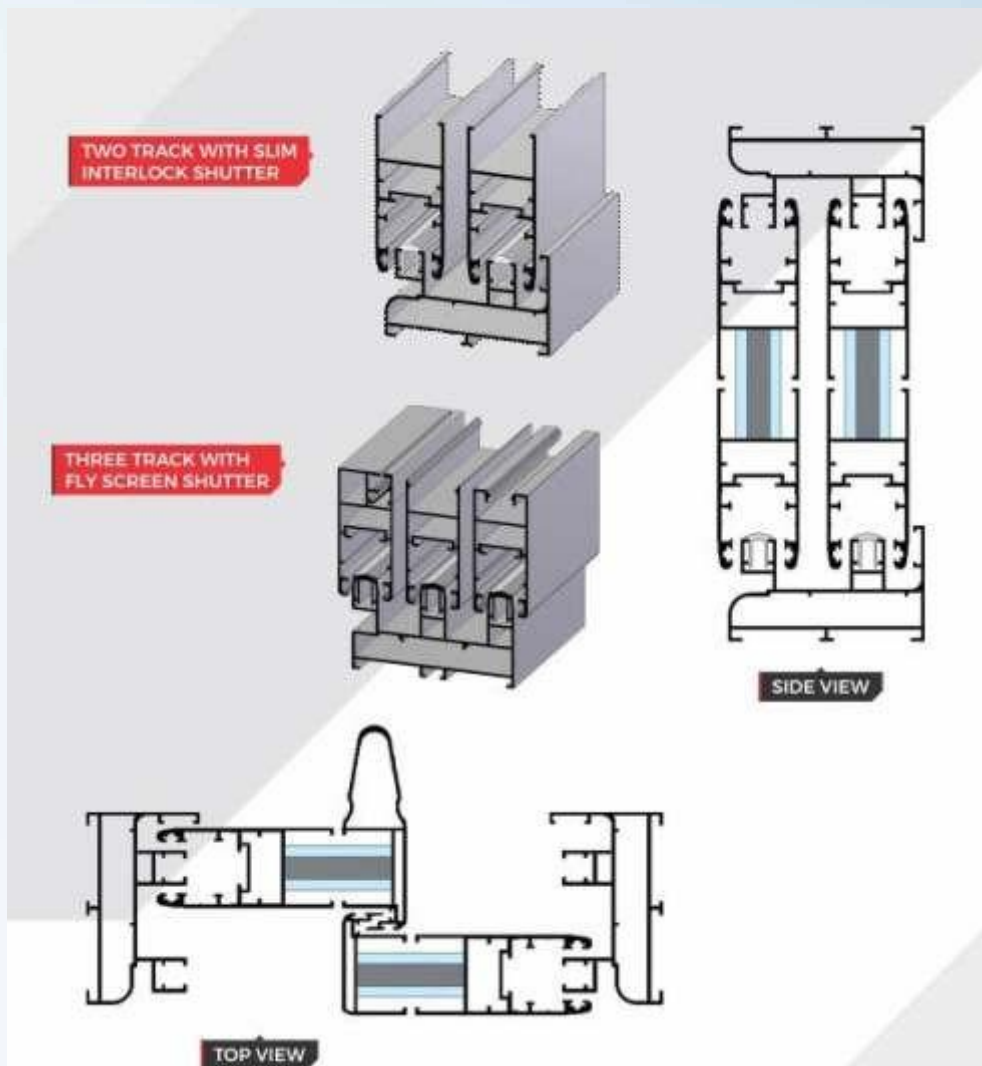
Key Features

- Available in 2-track & 3-track frames
- Option of single or double insulated glass
- Shutter size upto 1500mm x 3300 mm
- Maximum glass thickness of 28mm
- Multi-point lock available
- KPA D.G.Handle Shutter available
- Integration of Fly - mesh can be easily done in the same glass shutter
- Slim Interlock Reinforcement - can go upto 1.5 KPA

Available in many Colors and Finishes:

PowderCoating, Anodizing, PVDF Coating, Wood Finish





Window Planet - Mars: Italian slim Eurogroove

Key Features

- Available in 2track & 3track
- Maximum shutter dimensions - 1500x3000mm
- Maximum Glass Thickness -28mm
- Shutter of Single & Double Glass available
- Slim Interlock Reinforcement - It can go up to 1.5KPA
- Flymesh can be installed
- Single Point & Multi Point locking available

SIDE VIEW

- Sleeker & Sturdier
- Anodized add-on rail to protect from damages caused by regular operations
- Handle section with reinforcement to withstand wind load of high rises

Available in many Colors and Finishes:

PowderCoating, Anodizing, PVDFCoating, WoodFinish

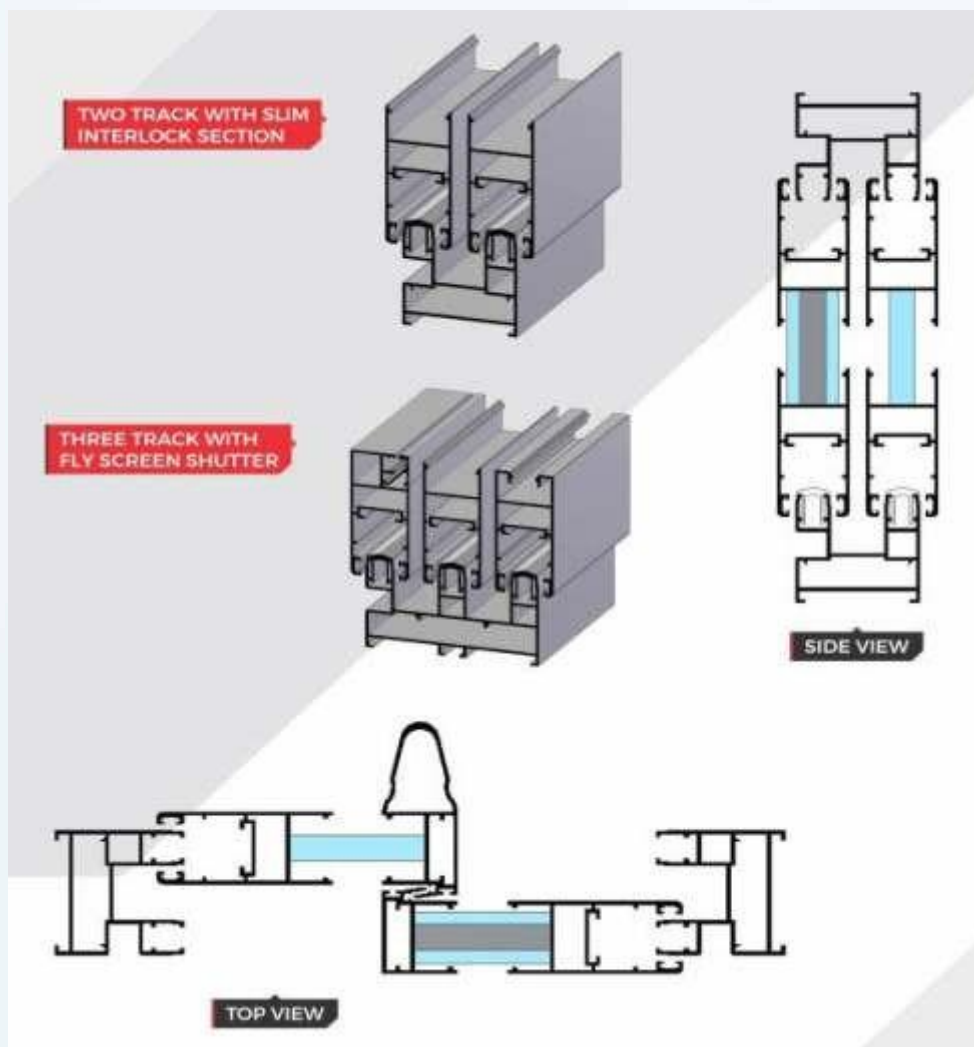
Window Planet - VENUS - Slim Type SLD

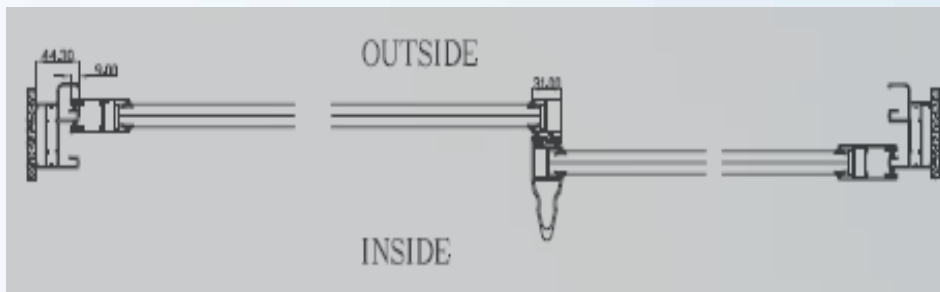
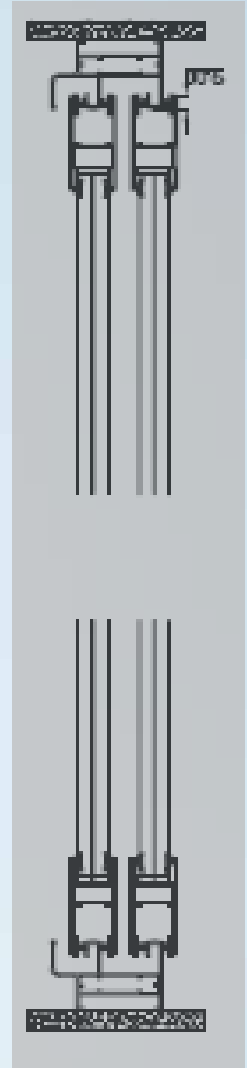
Key Features

- Available 2track 3track track frames
- Option single double insulated glass
- Anti-capillary polypropylene pads maximum single shutter size upto 1200mm 2200mm
- Maximum glass thickness of mm
- Multi-point lock available
- KPA D.G.Handle Shutter available
- Integration Fly-mesh can easily done in same glass shutter
- Slim Interlock Reinforcement
- Available in Colors Finishes: Powder Coating, Anodizing, PVDF Coating, Wood Finish

Available in many Colors and Finishes:

PowderCoating,Anodizing,PVDFCoating, WoodFinish





Window Planet - EARTH - Slim Type SLD

Key Features

- Available in -2track, 3track, and 4track frames
- Option of single or double insulated glass
- Maximum Single Shutter size upto 1500mm x 3000 mm
- Maximum glass thickness of 24 mm
- Multi-point lock available
- Integration of Fly - mesh can be easily done in the same glass shutter
- Slim Interlock Reinforcement - can go upto 1.5 KPA

Available in many Colors and Finishes:
PowderCoating, Anodizing, PVDFCoating, WoodFinish

GEORGEAN BAR DOORS & WINDOWS







Decisive advantages of Sliding Door & Windows

High quality lever handle, locks add style and security to your application and can be keyed to match the rest of your home.

Wide panels with no external projections make the sliding window ideal for high traffic areas.

Can achieve large, uninterrupted areas of glazing.

Arrangement with upto 6 panels.

Smooth and effortless operations.

Continuity between internal and external spaces.

Total design flexibility offering total project solutions.

Ideal when safety is a consideration on a project.

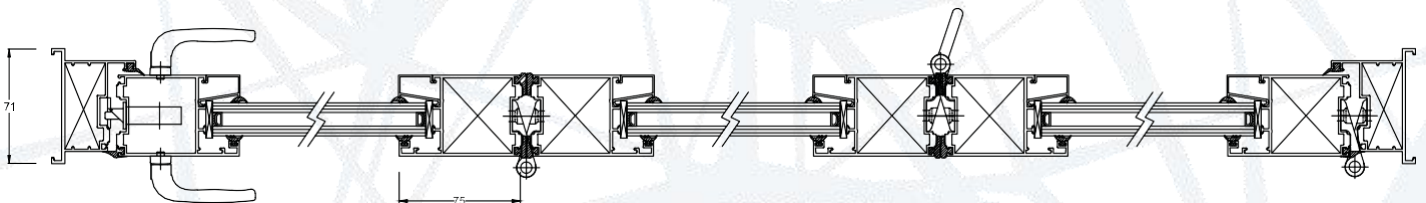
Patented technology providing premium product performance.





Window Planet Bi-Fold Doors - NEPTUNE

Sliding-Folding Doors, also referred to as bi-fold doors, folding patio doors, sliding-folding doors can provide a solution to the restrictions created by the boundaries of traditional exterior and internal doors and windows. Sliding-Folding doors can open far wider than conventional French doors and offer up to 95% clear opening as opposed to the typical Patio doors 40%. Whole walls can now be literally and effortlessly swept aside in seconds enabling any room to embrace the great outdoors.





Resilient

Door panels go up to 3mtr in size and are suitable for areas with high wind and water requirements.

Window Planet Bi-fold

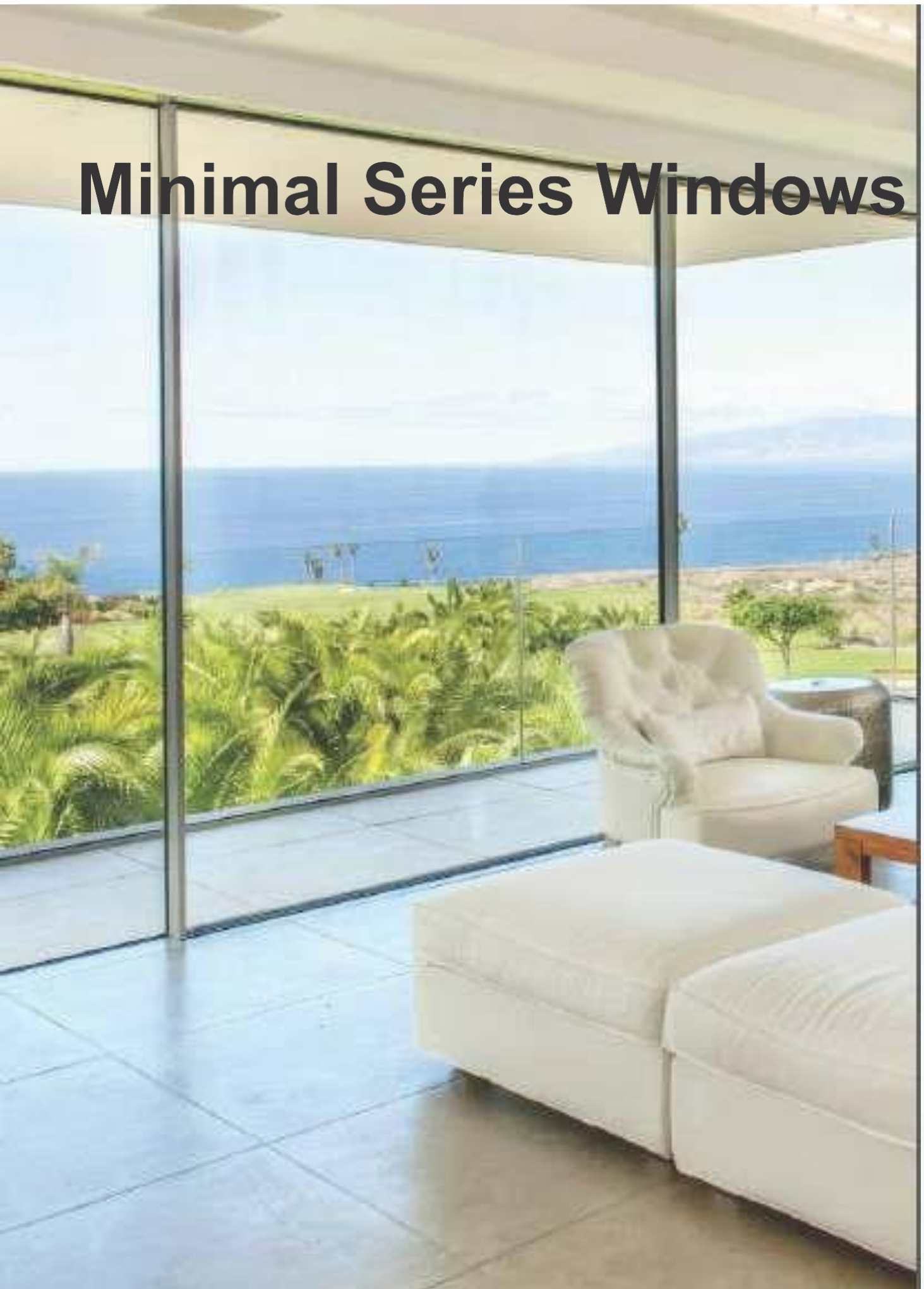
doors open up the full potential of outside living by bringing the outside in

Ideal for entertaining

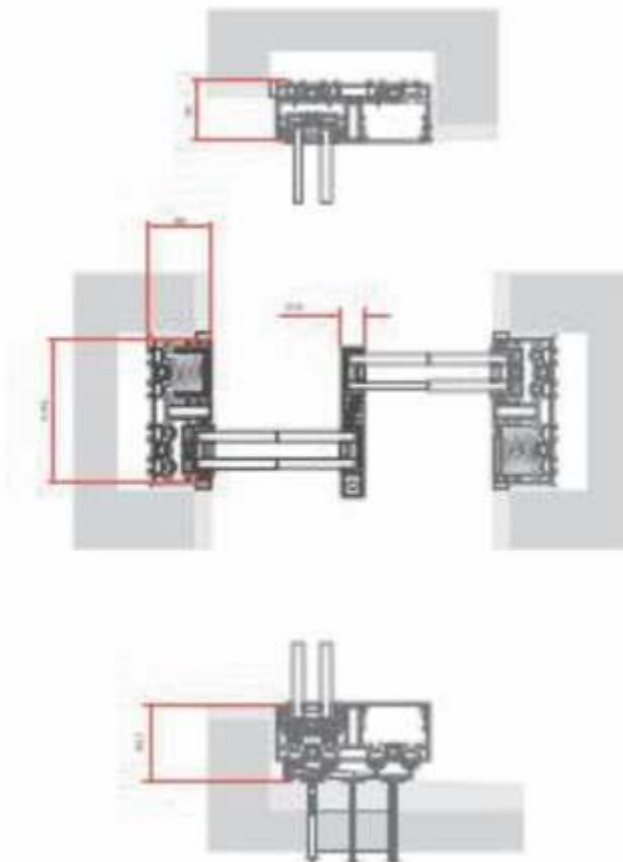
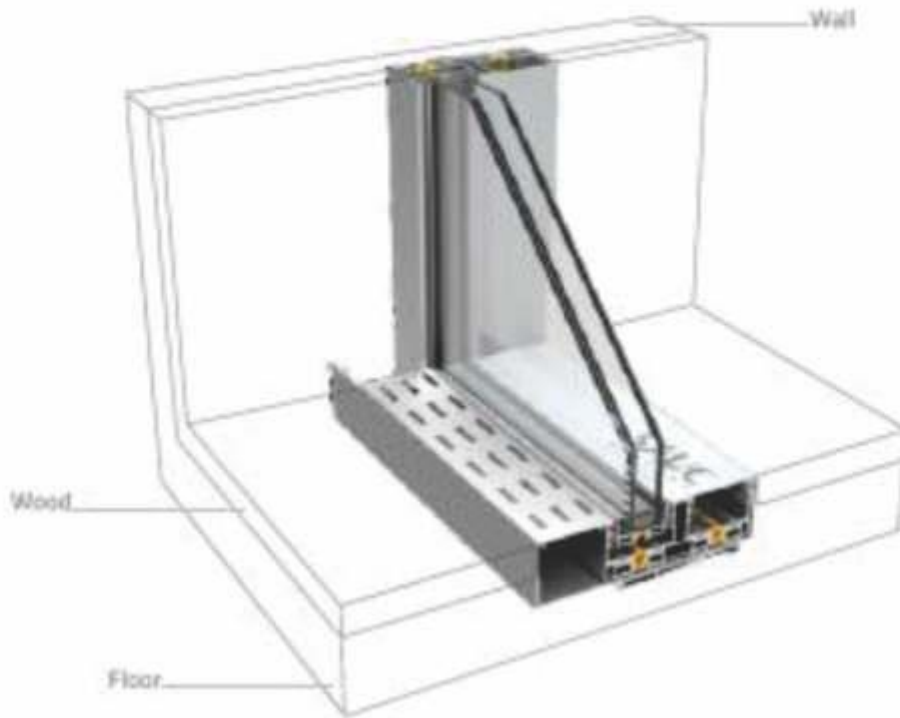
Panel can be stacked out of the way to one or both sides making it ideal for entertainment areas and maximizing panoramic views.



Minimal Series Windows



PlanetNine 34 SERIES



Planet Nine Minimal Series Windows

TECHNICAL INFORMATION

	PN_12	PN_32	PN_34	PN_44	PN_54	PN_64
INSULATION TYPE	Non Insulated	Non Insulated	Insulated	Insulated	Insulated	Insulated
Facing Width	14 mm	17 mm	17 mm	17 mm	17 mm	17 mm
Installation flush to floor inside	yes	yes	yes	yes	yes	yes
Installation flush to floor both side	no	no	yes	yes	yes	yes
Max leaf height	3 meter	3 meter	4.5 meter	6 meter	8 meter	8 meter
Max leaf width	2 meter	3.5 meter	3.2 meter	3.2 meter	3.2 meter	3.2 meter
Max leaf sq.mtr	5 sq.mtr	6 sq.mtr	12 sq.mtr	18 sq.mtr	18 sq.mtr	18 sq.mtr
Glass thickness	12 mm	32 mm	34 mm	44 mm	54 mm	64 mm
Locking	multipoint	multipoint	multipoint	multipoint	multipoint	multipoint
e_Lock	no	no	yes	yes	yes	yes
e_drive	no	no	yes	yes	yes	yes
Home automation	no	no	possible	possible	possible	possible
Max leaf weight	250kg	350kg	350kg	500kg	2000kg	2000kg

PORTER POSSIBILITY

	PN_12	PN_32	PN_34	PN_44	PN_54	PN_64
Air	300pa	300pa	390pa	Up to 650pa	Up to 650pa	Up to 650pa
Uw	Up to 5 W/m2K	Up to 3.2 W/m2K	Up to 2 W/m2K	Up to 0.7 W/m2K	Up to 0.6 W/m2K	Up to 0.5 W/m2K
Resistance to rain	EN_12208	EN_12208	EN_12208	EN_12208	EN_12208	EN_12208
Resistance to wind	EN_12210	EN_12210	EN_12210	EN_12210	EN_12210	EN_12210
Resistance to burglary	RC-3	RC-3	RC-4	RC-5	RC-5	RC-5
Sound insulation	20 db	24 db	40 db	42 db	44 db	49 db

Window Planet Pivot Windows - PLANET NINE



Pivot Windows facilitate easy and safe maintenance of the windows from the inside of the building, as the sash rotates through 180 degrees. Typical applications for pivot windows are large sized openings in commercial or residential buildings where the design calls for an unobstructed view and large window sizes. These windows are centrally pivoted either horizontally or vertically, rotating through 180 degrees and have built-in restrictors to limit the opening depth for easy and safe maintenance of the window from the inside of the building. These slim sightline windows are a popular choice with architects as they combine practicality with pleasing aesthetics, and allow high levels of light to reach far into the building. All aluminium pivot windows are thermally broken for thermal efficiency. Offered in both circular and rectangular/ square shapes, the Pivot Window provides a perfect design solution for unique spaces. An easily removable sash allows any space, fresh air or access to exterior spaces. And the operation is both smooth and secure. The pivot window is a good choice for attics, cupolas, lofts and other challenging or unique spaces. In addition, homeowners may choose replacement pivot windows for pool rooms, porch areas, conservatories, staircases and any room which does not require a screen.



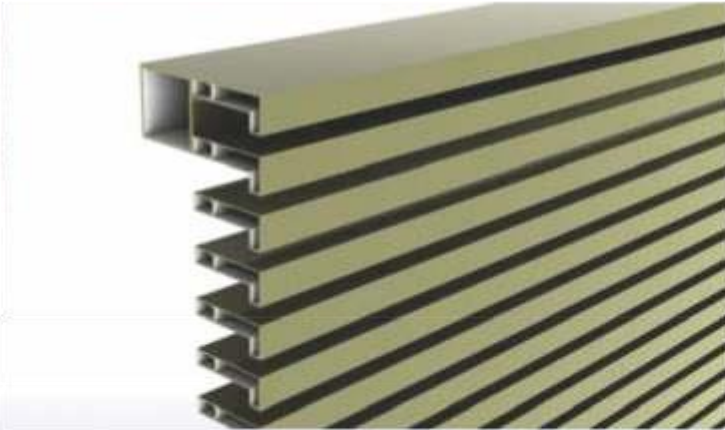
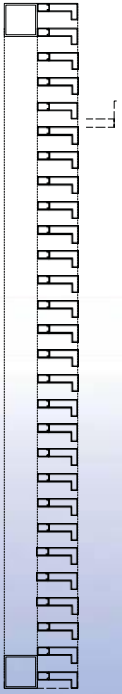
KLASSIQUE® LOUVERS

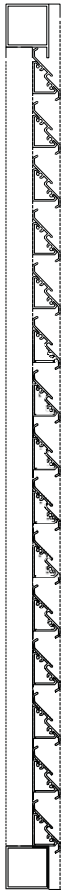
Window Planet is the place to find specifications, drawings, and design information for louver products of all types. Add ventilation, view blocking or sun control to your building while creating an appealing aesthetic design. The possibilities are endless. These air ventilation louvers are known for their high efficiency, durability and wide functionality. These aluminum louvers are available in various sizes and dimensions and can be customized as per the requirement of the client innovatively by Klassique.

Applications:

Office Constructions
Home Constructions

Facade Constructions
Industrial Construction





Argos\ DRTL-5

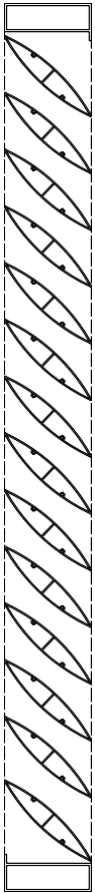
We have created a niche in Aluminium Louvers such as Aluminum Regular Louvers, Aluminum Fixed Louvers, Aluminum Ventilation Louvers and Architectural Aluminum Louvers at its best, with utmost quality. We offer a wide range of Aluminum Fixed Louvers that are manufactured in compliance with the industrial standards. These aluminum fixed louvers are famous everywhere for their durable finished standard and available in wide varieties. We offer these air ventilation louvers at very competent prices keeping international standards in mind.



Sunshades are an attractive means to obstruct undesired sun and heat gain while allowing natural light into your building. Sunshade louvers add an attractive design element to your building. Numerous blade shapes, blade spacings, and trim profiles allow a design to suite your project requirements.

Architectural aluminum louvers can provide dramatic visual appeal to an otherwise plain looking building. But they must be done right or they can look very industrial and mechanical.





- Double rain-trap designed for increased weather resistance, used for moderate conditions and in exposed areas.
- Used for maximum weather resistance to house sensitive electrical equipment.
- For better aesthetic and architectural look.
- Corrosion resistant.
- Temperature resistant.
- Abrasion resistant.
- High tensile strength.



Argos\ ECL-15



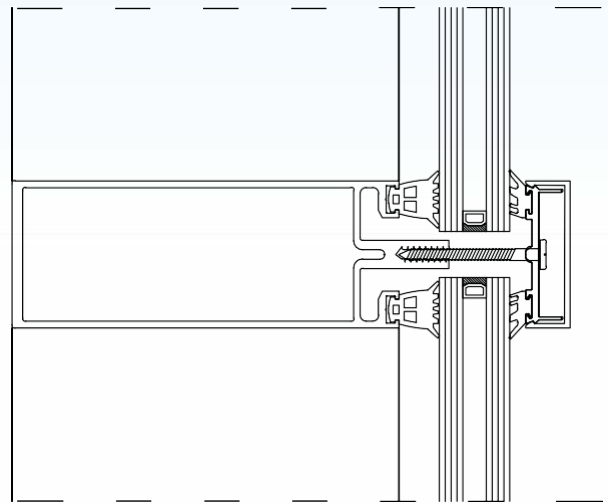
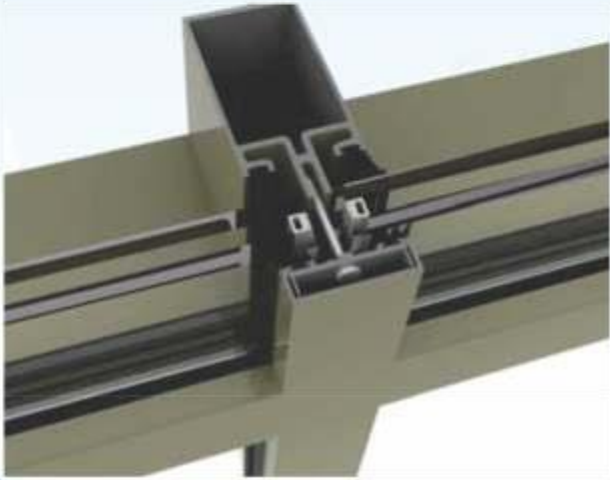
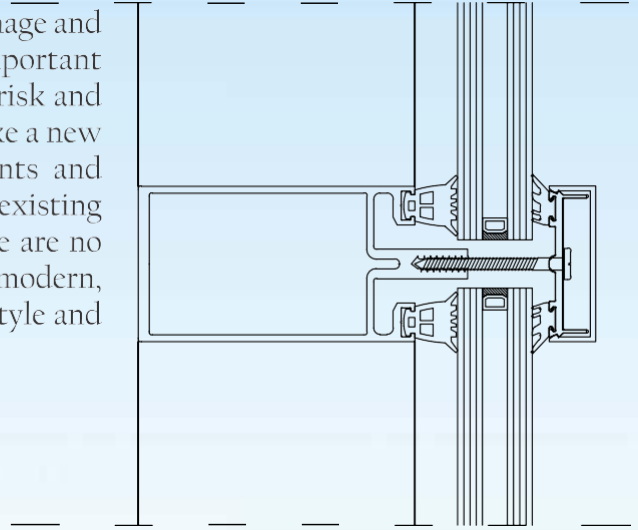
Classic Aluminium Works Pvt. Ltd. Synergy to Building Facades Since 1995

Classic is a one-stop speciality built, technology updated company for all your façade related requirements incorporating glazing and other external cladding materials. Classic offers design, system integration and ultimately installation. Our firm is comprised of specialists with unique backgrounds in product design, material applications, façade architecture and curtain wall engineering.



A building's skin can define its value, pe

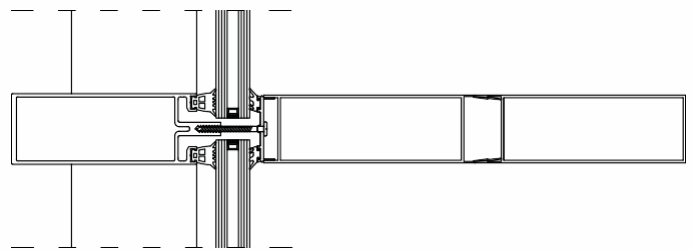
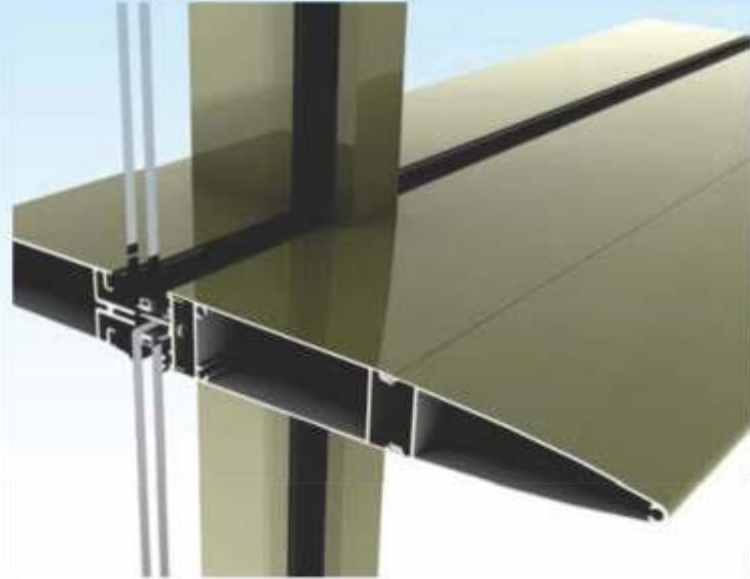
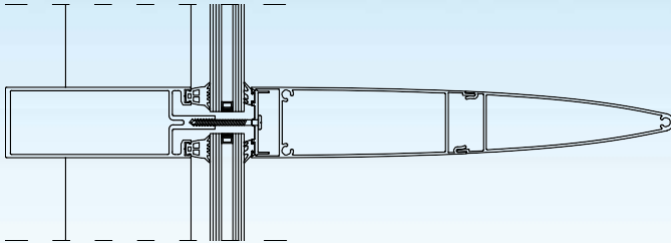
Façades which form the outer skins of buildings project image and creative intent. At Classic, they are understood as important environmental moderators and key influencers in project risk and commercial success. A thoughtfully designed skin can make a new building work more effectively for its owners, occupants and environment. It can also transform the performance of an existing building. With a wide choice in colour and texture, there are no limits to what Classic can create with façade options from modern, metallic, to traditional timber finishes. We've combined style and performance to offer you the complete façade solution.



Performance and architectural expression.

Classic provide Façade Engineering services related to the external building envelope. Latest technologies in façade architecture and various materials available worldwide for façade cladding can be provided and installed innovatively by us. The facade design can be calculated and engineered accordingly by our professional team as per the client's requirement. Our team combines façades experts with architectural, structural engineering and contracting background, to address performance specification, detailing and structural adequacy in steel, aluminium and glass engineering.

We offer specialization in delivering customised façade systems in the following areas:

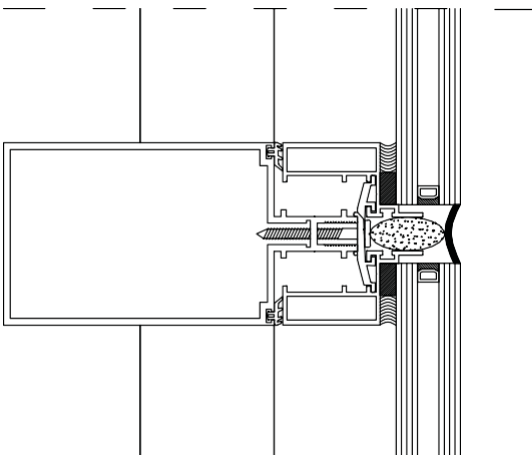


Curtain Wall & Structural Glazing

A curtain wall is categorized as stick, unitized or semi-unitized system based on the commonly used erection techniques. The main difference between Unitized & Semi Unitized System is that the unitized wall is installed as a sequence of factory-assembled frames, with interlocking mullions and transoms, and the semi-unitized wall is installed on site, after being fabricated in the factory. Structural glazing systems provide a flush glass surface. Only a narrow silicone joint remains visible between the insulated/single glass panes and can be possible with pressure plate and cover-cap system on the outer surface of the glass as well. With its unrivalled stability and safety, this innovative product allows architects to build entire structures out of glass, allowing architects design flexibility to create bright and highly attractive working environments, with more light and a greater feeling of space. We offer an extensive range of Commercial Façade Curtain Wall Framing for any application on your Commercial Project throughout India.



Structural Glazing



Classic Spider Glazing

SPIDER GLASS is a modern solution for exterior bolted glass assemblies, which secures the glazing support structure by means of point-fixings. high-grade stainless fixings are designed absorb static and dynamic loads (i.e. the dead weight of glass, wind loading, snow loads and differential expansion to temperature difference) and distribute them to the support. SPIDER GLASS is a for bolted structures.

The package includes glass, fixings, fasteners spider brackets connection the structure. With the assistance our dedicated and skilled professionals. we install and supply Glazing. reckoned their precise features. Our range is featured with weather resistance abrasion resistance that makes this range popular amongst the clients.



er Glazing



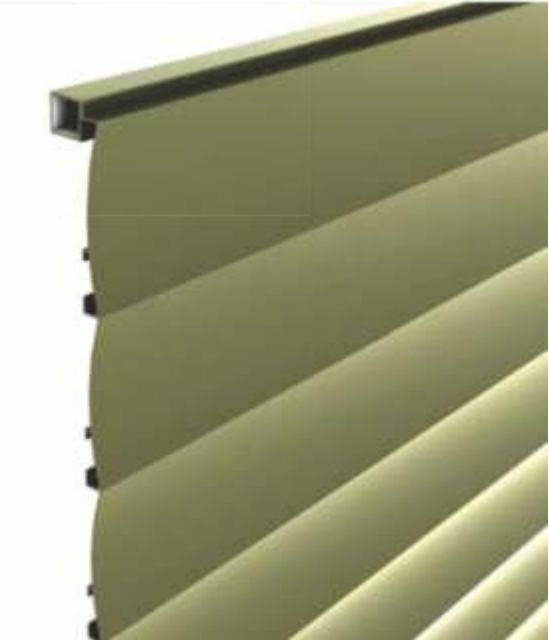
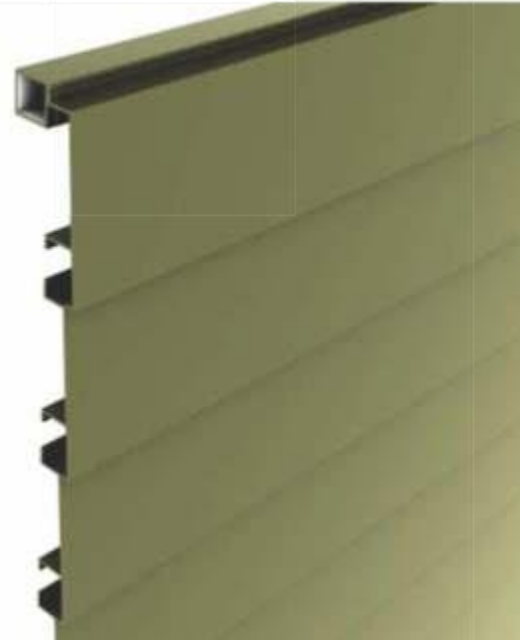
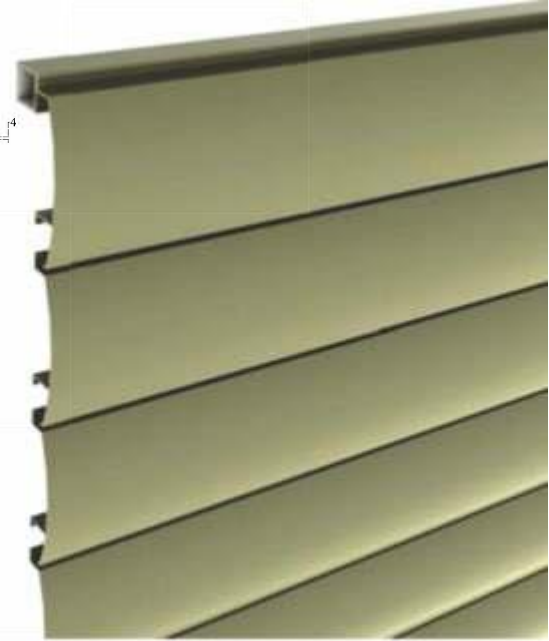
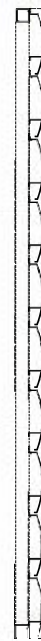
Features:

- Excellent adaptation to all weather.
- Large and fully smooth glazed area.
- Doors and windows can be inserted in our spider glass facades.

Classic - TRENDZ

METAL CLADDINGS

Cladding (sometimes referred to as panelling) is most commonly applied to the exterior walls of buildings and is used for a variety of purposes; to transform the exterior of a property, provide protection from the natural elements, to help insulate a building or to match the appearance of an extension with the rest of the house. A variety of materials can be used for cladding. If you want to experiment with unusual cladding materials, **Klassique** offers a wide variety of cladding accordingly to the client's need.



We excel in offering various innovative claddings in facades



HPL Cladding

HPL is a decorative high pressure compact laminate. The play of shadows and reflections on the metallic façade gives liveliness to the façade responding to its surroundings. Exterior rainscreen cladding or high pressure laminate has become an increasingly popular feature to enhance the appearance of a ventilated facade. Our expert team offers the client on his requirement the HPL advantage also.



Zinc Cladding

Zinc is produced specifically for covering facades in the service and residential sector. Zinc wall cladding are now being specified for commercial, public and residential projects. Zinc is a natural material that lasts forever, requires no maintenance, has superior aesthetic qualities with a natural patina, it's affordable, easy to bend and shape, and it's green. It is long lasting, flexible, coloured and prestigious.





Terracotta Cladding

Glazed architectural terracotta offers a modular, varied and relatively inexpensive approach to wall and facade construction. It was particularly adaptable to vigorous and rich ornamental detailing. Terra-cotta is an enriched molded clay brick or block. It was usually hollow cast in blocks which were open in the back, with internal stiffeners called webbing. Webbing substantially strengthened the hollow blocks with minimal weight increase. The blocks were finished with a glaze, with a clay wash or an aqueous solution of metal salts, before firing. Klassique offers terracotta cladding available in a diverse range of colors and format sizes, engineered for project-specific criteria.



ACP Cladding

Aluminum Composite Panel Cladding (ACP) is a widely-used term, describing flat panels that consist of thermoplastic core bonded between two aluminum sheets. Aluminum composite panels are available in various thicknesses and various brands. With Klassique, key features of this product are attractive designs, durability, longevity, smooth surface, high tolerance and easy installation to name a few. Its high demand for its latest design and industry leading price, these claddings are great value for money.



Clients can avail all these façade innovations in customized forms as per their requirements. The façade variations available worldwide can be provided by Klassique with the help of its latest upgraded technology based infrastructure and exposure through available international innovations and inventions.

KLASSIQUE® SKYLIGHT

A skylight is a structure that allows light on the roof to travel to the interior of a building. Skylights are particularly useful in spaces that do not receive much natural daylight. **Klassique's** Skylights are a pleasant, environmental friendly solution to brighten your residential or commercial premises. Using natural light rather than electricity as a light source saves energy and can dramatically cut your electricity bills. They are an excellent source of natural light: they can admit more than three times as much light as a vertical window of the same size, distributing it evenly, saving energy and improving your visual comfort levels.

Skylights (also known as roof lights) are typically acrylic, single glazed 'opal' (i.e. light diffusing) moulded units. Top glazing can also be in clear or tinted acrylic, polycarbonate or glass. Skylights typically have long white coloured or flexible light wells and a diffuser panel fitted at ceiling level.





GHIT

ALUMINIUM V/S OTHER MATERIAL WINDOWS

The debate on this can go on forever. Ultimately, the customer chooses what they like and what they can afford. The good thing about these debates is that they bring product awareness to all of us.

Both aluminum and other windows and doors products serve their respective markets. However, aluminum has several distinct advantages over other windows. The environmental credentials of aluminum compared to other windows again can't be compared. Aluminum on environmental credentials simply puts other windows to shameful facts. This is a long and separate topic altogether. But do the right research and the result will speak for them.

Life-Span- No other windows door is able to withstand anything more than a normal residential environment where the door is opened and closed a few times a day other windows windows are unsuitable for coastal, tropical, swimming pool environment, heavy grime environments or more. Only aluminium powder coated finishes can be specified to deal with chlorine environments and more.

Incomparable quality of Aluminum- The quality of aluminium window cannot be put aside. Not only is the pure polyester powder coating guaranteed for 25 yrs, we assure anyone to find a other windows installation that under normal exposed condition look anything like an aluminum installation even after 10 yrs. PVC windows were not designed to have a long life with every meaning of the word.

Thermal efficiency With today's energy rated windows, again this is a weak argument anyone attempting to tell the customer that al are not as thermally efficient, is misleading the customers. Aluminum windows are available in A, B and Crated forms like other windows

Looks better and elegant

To look at closely is the finish between the aluminum and the other windows. Assuming you are having white (which is normally most available in other windows). Have a look at the difference the other windows and the white powder coated aluminum. You will see a better gloss level on the aluminum variant and a more dull sheen on the other windows which is a standard characteristic of the other windows/plastic.

High Strength The aluminum window will be stronger and allows all complex solutions such as structural & curtain wall, roofing, Aluminum is used to make Fire doors, Security doors which require greater strength. The other windows windows will be reinforced internally with either Gl or steel. This is not to say the other windows is weak, merely the other windows is weaker than metal and needs reinforcing.

Easy to Maintain and Repair Aluminum windows are easy to maintain, repair and the maintenance can be done at site without having to transport entire window to the factory. Hence, on-site maintenance possible. Other windows window is difficult to maintain. Window joints are fusion welded in factory, so on-site welding is not possible. Entire window needs to be removed and taken to the factory for repair and maintenance, leaving the space open.

Recyclable and Environmental Friendly - Aluminum is 100% recyclable and hence environmental friendly. Aluminum frames are much more environmentally friendly to manufacture using less natural resources with less harmful emissions. Not only do they have a longer life span but when they eventually do need replacing, they are recyclable, and recycling aluminum only uses 5% of the energy that was initially used in manufacturing it. Other windows is not recyclable (India) and hence not environmental friendly

High Resale Value Aluminum has high resale value. UPVC has no resale value in India. Aluminium windows have their own specialty which makes them better than other windows windows.

Weather Resistance- Aluminum is weather resistant. Other windows is meant for the colder countries and not suitable for Indian tropical climate where the temperature goes up to more than 48 degrees Celsius.

Safety Measures - Aluminum windows and doors are resistant to fire and earthquakes which is not possible in other windows

High Tensile Strength Aluminum windows are made from aluminum alloy 6061 T6 having tensile strength 248 Mpa, can be designed to withstand extreme wind pressure. No reinforcement is required. Tensile strength of UPVC is 51 Mpa thereby requiring additional reinforcement (Gl or steel) to strengthen it. While fabricating only the outer profiles get welded leaving inner reinforcement as individual member without making it a perfect frame.

Don't get us wrong as we are still intended to enhance the beauty and quality of your premises. The point is today, it should not be a question as to know which one is best between Aluminum and other windows. As the customer is now aware after reading, the choice is left to the customer. THANKS FOR READING

We all work with other materials on daily basis but many of us still not aware of what Window Planet systems can do for the present door window requirement.

FAQ's

Why Aluminum?

For decades, versatility and flexibility of the aluminum has stirred the imagination of designers, engineers and architects and made this material of choice for numerous product applications. Aluminum is a lightweight, durable, easy to clean, non-toxic, UV and moisture resistant finish, fully recyclable and environmentally friendly.

Why choose aluminium windows and doors for your property? Benefits? Aluminium is a strong, versatile and durable solution for both domestic and commercial windows and doors. Long lasting and strong aluminium windows and doors outlast most framing systems, as their metallic structure is made to be durable and less likely to be cracked, scratched or chipped, which means that their life span is much greater. Aluminium frames are also very fire resistant and can survive some fires with only needing to be repaired and not fully replaced.

What should I look in to choose the right glass? Accounting for up to 90% of the thermal performance of windows & doors, glass is the most influential factor in determining window & door energy efficiency. Not all glass products are created equal and it's vital to select the appropriate glass for your specific purpose. For example, a single glazed high performance glass (Low E, reflective, tinted) can stop up to 40% of solar heat gain, while Low E double glazing can stop up to 77% of solar heat gain.

How secure are Aluminium windows and doors? Security is an inherent feature of aluminium windows and doors due to the strength of the material, which coupled with new generation locks provide a secure barrier against thieves and burglars

How are aluminium frames environment friendly? Aluminium frames are **much more environmentally friendly to manufacture than other materials** or wooden frames, using less natural resources with less harmful emissions. Not only do they have a longer life span but when they eventually do need replacing, they are recyclable, and recycling aluminium only uses 5% of the energy that was initially used in manufacturing it.

Are aluminium windows thermally efficient? Yes. Aluminium is thermally efficient. Aluminium windows are also available in A, B and C rated forms.





CLASSIQUE[®]
GLAZINGS & CLADDINGS
FRAMELESS GLASSES

GLASS PARTITION SYSTEMS

CLASSIC ALUMINIUM WORKS PVT. LTD.





WHAT'S INSIDE?

01

COLOSSEUM COLLECTION

Fine Glaze Pariions

25mm x 25mm & 40mm x 25 mm

02

EIFFEL COLLECTION

Slim Glaze Pariions

25mm x 45mm

03

LOUVRE COLLECTION

Side Glaze Pariions

25mm x 53mm

04

PANTHEON COLLECTION

Ultra Glaze Pariions

25mm x 80mm

05

SISTINE COLLECTION

Wide Glaze Pariions

25mm x 100mm

06

ACROPOLIS COLLECTION
Wide Double Glaze Partitions
25mm x 100mm

07

BIG BEN COLLECTION
Style Door
42mm x 75mm

08

DUOMO COLLECTION
Sliding Door

09

STONEHENGE COLLECTION
Technical Panel
100mm x 100mm

10

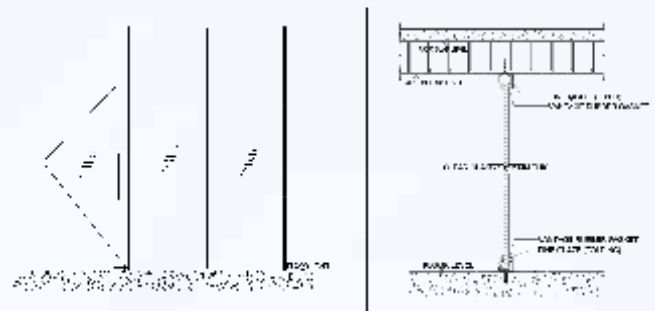
Accessories
Architectural Hardware



GET THE LOOK



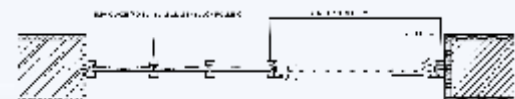
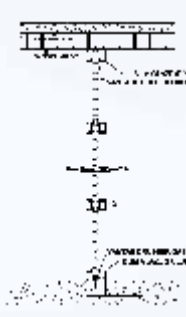
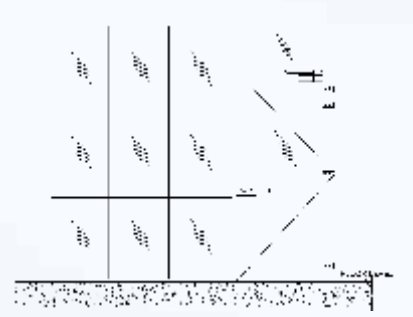
TECHNICALITIES



GET THE LOOK



TECHNICALITIES

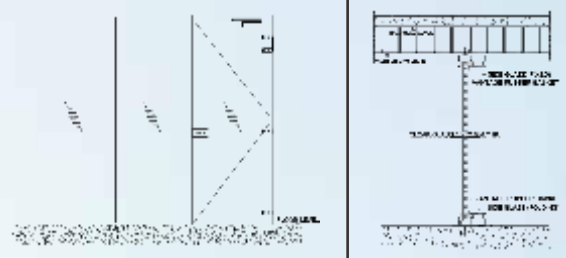




GET THE LOOK



TECHNICALITIES

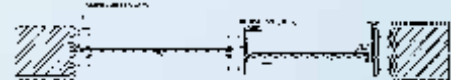
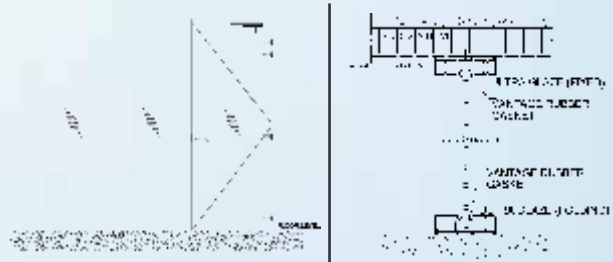


ALITIES

GET THE LOOK



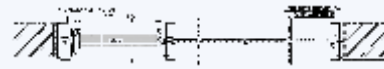
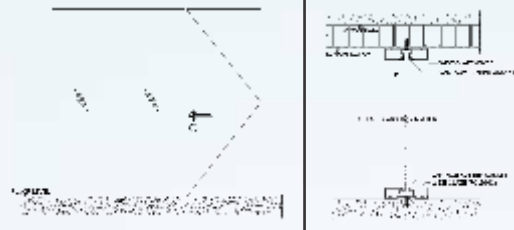
TECHNICALITIES



GETHLOOK



TECH-NAUTES

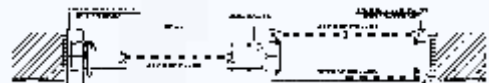


24

GETHLOOK



TECH-NAUTES

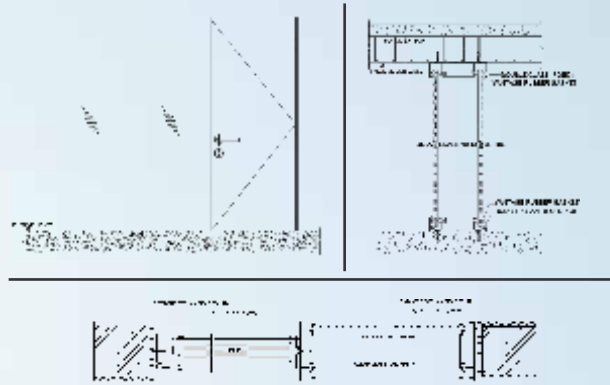


25



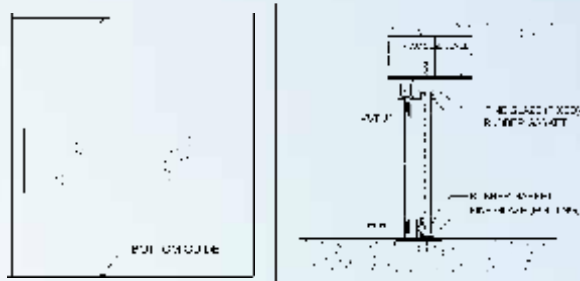
TECHNICALITIES

GETHELOCK

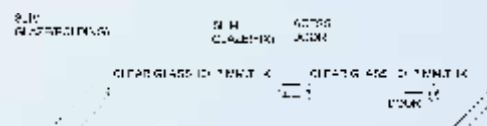


GETHELOCK

TECHNICALITIES



GETHELOCK





SLIM PARTITIONS

For

Corporate Offices

Boutique Offices

Premium Residence



SIMLINE PARTITIONS FOR RESIDENCE



SIMLINE PARTITIONS FOR OFFICE



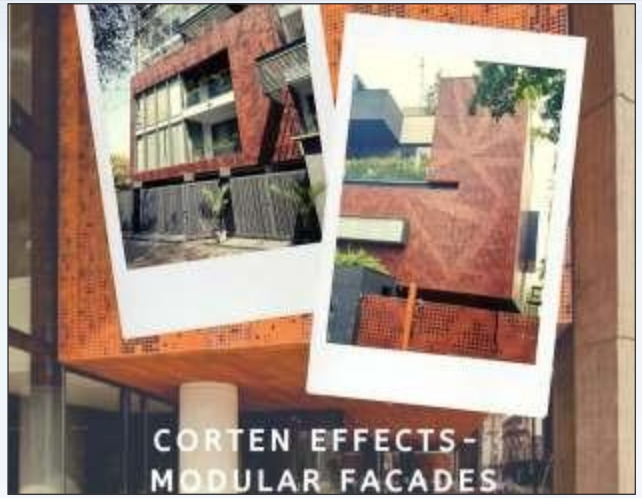


KLASSIQUE[®]
GLAZINGS & CLADDINGS
FRAMELESS GLASSES

Classic - TRENDZ

METAL CLADDINGS







Tailor made Design to suit your styles
for exteriors n interiors application



Enjoy

OUTDOOR SITTING

KLASSIQUE[®]
GLAZINGS & CLADDINGS
FRAMELESS GLASSES



ALUMINIUM PERGOLAS

Pergolas and canopies are awesome additions to any open space or private areas, whether residential or commercial property. Entirely made of aluminium and easy to install, they ensure quality and protection without compromising on comfort and style. With exceptional design and a wide range of colors they transform all dull areas into beautiful outdoor environments, offering fully-customized solutions as well.

Traditional pergolas are resistant to all weather conditions, easy to assemble and maintenance free. Powder coating finishes are available in many colors of seaside class quality and in several wood imitation shades.



The combination of traditional pergola with canvas roofing offers additional protection and shading, lending simultaneously the sense of noble, particularly when combined with wood imitation shades. This solution is ideal for applications intended for traditional summerhouses, giving the charm of country style.



Motorised & Fixed Louvers Pergolas

The technological evolution in shading systems! An exceptional modern design construction characterized by top functionality and high aesthetic value. The pergola can be fixed any angle, providing the optimum design for best sun-shading. It can be easily maintained and converted to other designs.



ALUMINIUM BLADED ROOFS



SCREEN ROOFS



FOLDING ROOFS



SANDWICH GLASS (DGU) BLINDS SYSTEM



www.teamclassic.in



Window planet

Engineered System Windows & Doors

aluminium-upvc

Better Living...

ine

your privacy,
g facades
utiful.

Imagine

making offices and
homes more energy
efficient at the touch
of a button.

Team Classic

sales@teamclassic.in

8947888890/ 9982689387

- Team Classic is a developer and manufacturer of windows with blinds in insulating glass systems.
- It provides innovative shading solutions for high performance, in best quality standard, or completely custom made.
- We have an experience of more than 24 years of technical expertise in the glass and glazing industry.





OPTIMUM LIGHT ENHANCED EFFICIENCY

Double Glazed Window with Integral Venetian Blinds

INNOVATION BUILT-IN



- Innovative design with optimum light control, functional architecture and fuss-free maintenance.
- Integrates an electrically operated louvre within the cavity providing an airtight environment, immune to dust, moisture and abuse.

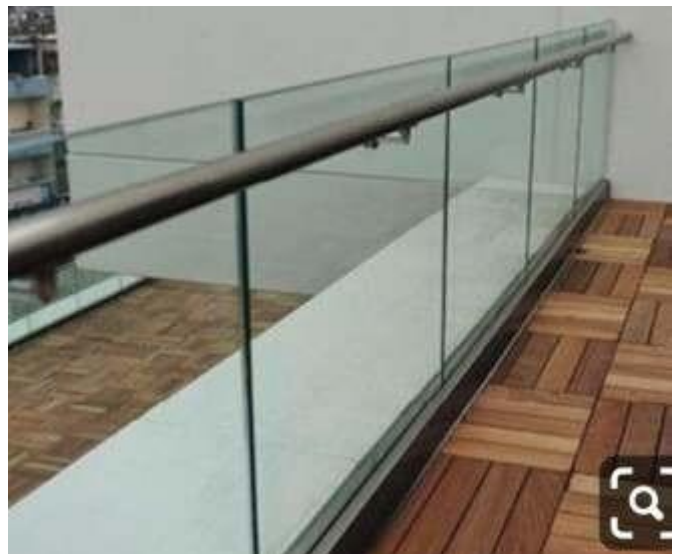
DESIGN FREEDOM BUILT-IN



- Clutter breaking decorative design and finish
- Delivering performance whilst reflecting the contemporary architectural and interior design trends.
- These blinds form an elegant yet discreet sun shield.

Glass Railings







Window planet

Engineered System Windows & Doors
aluminium-upvc
Better Living...

Team Classic

Classic Tower, 267, New Atish Market, Opp. Sunny Mart,
Gopalpura Bypass, Jaipur - 302020
Works: DTA 005 - 010 Mahindra world city,
ajmer road Jaipur

www.teamclassic.in | www.windowplanet.in
admin@teamclassic.in | sales@teamclassic.in
0141 - 2394671, +91 9784010168, 8947888890

