



Window planet

Engineered System Windows & Doors

aluminium-upvc

Better Living...

by
TEAM CLASSIC



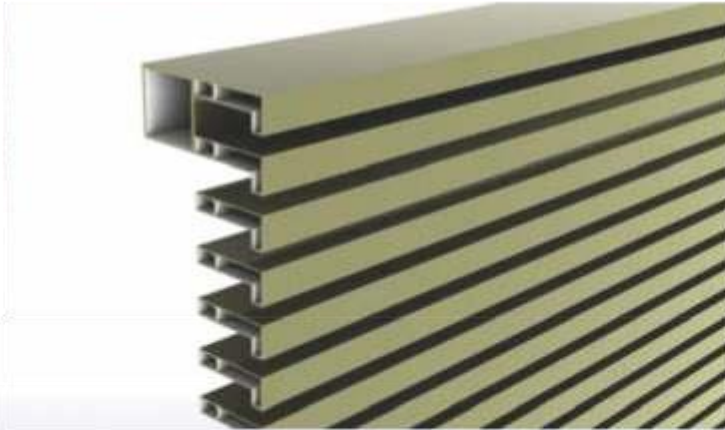
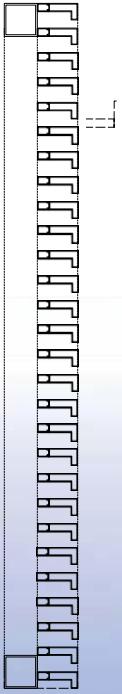
KLASSIQUE® LOUVERS

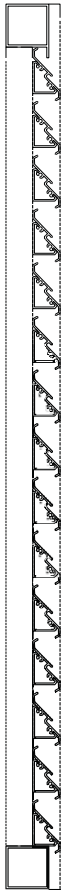
Window Planet is the place to find specifications, drawings, and design information for louver products of all types. Add ventilation, view blocking or sun control to your building while creating an appealing aesthetic design. The possibilities are endless. These air ventilation louvers are known for their high efficiency, durability and wide functionality. These aluminum louvers are available in various sizes and dimensions and can be customized as per the requirement of the client innovatively by Klassique.

Applications:

Office Constructions
Home Constructions

Facade Constructions
Industrial Construction





Argos\ DRTL-5

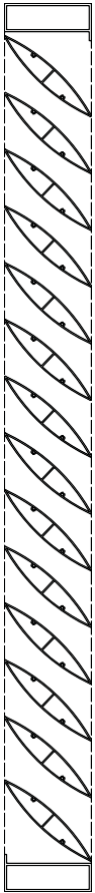
We have created a niche in Aluminium Louvers such as Aluminum Regular Louvers, Aluminum Fixed Louvers, Aluminum Ventilation Louvers and Architectural Aluminum Louvers at its best, with utmost quality. We offer a wide range of Aluminum Fixed Louvers that are manufactured in compliance with the industrial standards. These aluminum fixed louvers are famous everywhere for their durable finished standard and available in wide varieties. We offer these air ventilation louvers at very competent prices keeping international standards in mind.



Sunshades are an attractive means to obstruct undesired sun and heat gain while allowing natural light into your building. Sunshade louvers add an attractive design element to your building. Numerous blade shapes, blade spacings, and trim profiles allow a design to suite your project requirements.

Architectural aluminum louvers can provide dramatic visual appeal to an otherwise plain looking building. But they must be done right or they can look very industrial and mechanical.





- Double rain-trap designed for increased weather resistance, used for moderate conditions and in exposed areas.
- Used for maximum weather resistance to house sensitive electrical equipment.
- For better aesthetic and architectural look.
- Corrosion resistant.
- Temperature resistant.
- Abrasion resistant.
- High tensile strength.



Argos\ ECL-15



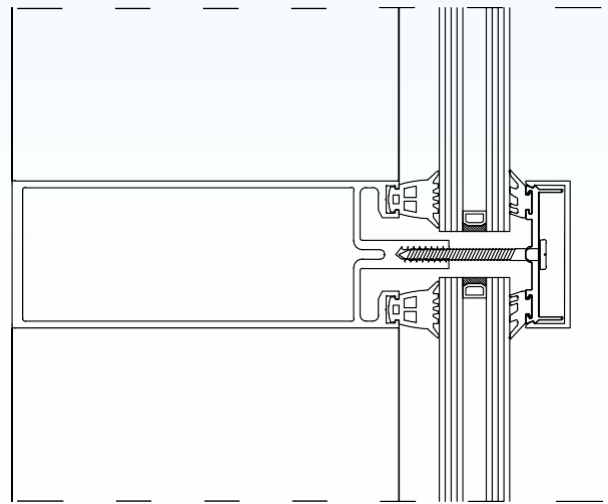
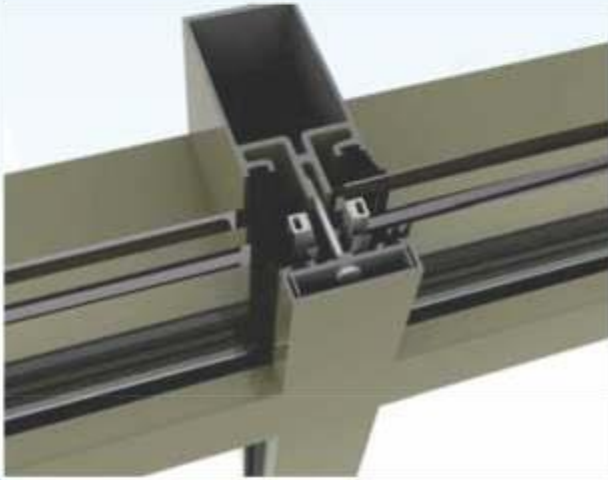
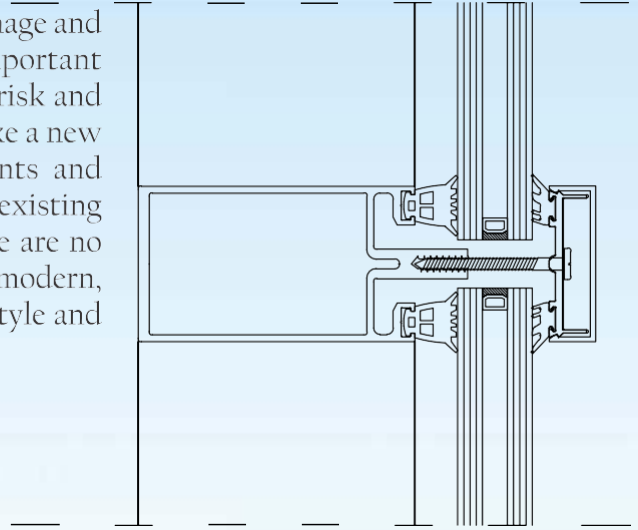
Classic Aluminium Works Pvt. Ltd. Synergy to Building Facades Since 1995

Classic is a one-stop speciality built, technology updated company for all your façade related requirements incorporating glazing and other external cladding materials. Classic offers design, system integration and ultimately installation. Our firm is comprised of specialists with unique backgrounds in product design, material applications, façade architecture and curtain wall engineering.



A building's skin can define its value, pe

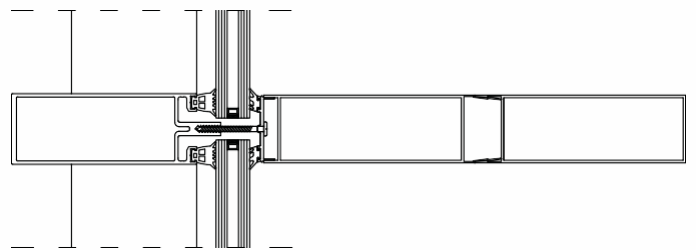
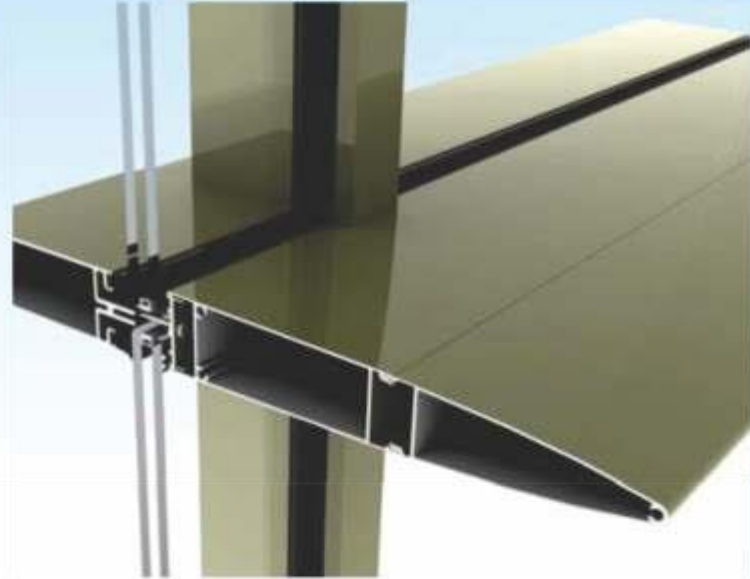
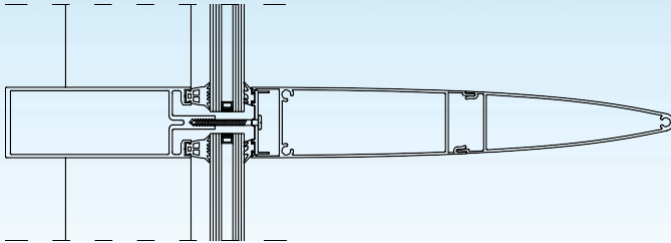
Façades which form the outer skins of buildings project image and creative intent. At Classic, they are understood as important environmental moderators and key influencers in project risk and commercial success. A thoughtfully designed skin can make a new building work more effectively for its owners, occupants and environment. It can also transform the performance of an existing building. With a wide choice in colour and texture, there are no limits to what Classic can create with façade options from modern, metallic, to traditional timber finishes. We've combined style and performance to offer you the complete façade solution.



Performance and architectural expression.

Classic provide Façade Engineering services related to the external building envelope. Latest technologies in façade architecture and various materials available worldwide for façade cladding can be provided and installed innovatively by us. The facade design can be calculated and engineered accordingly by our professional team as per the client's requirement. Our team combines façades experts with architectural, structural engineering and contracting background, to address performance specification, detailing and structural adequacy in steel, aluminium and glass engineering.

We offer specialization in delivering customised façade systems in the following areas:

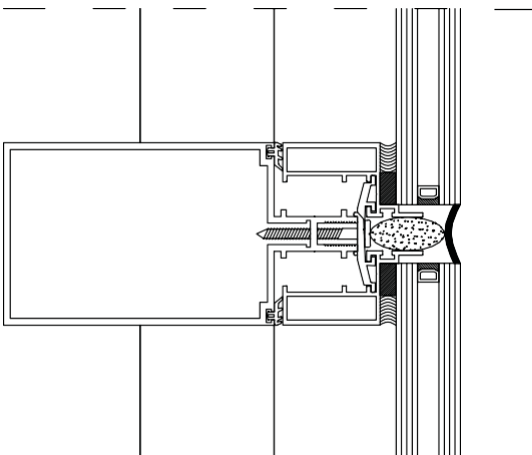


Curtain Wall & Structural Glazing

A curtain wall is categorized as stick, unitized or semi-unitized system based on the commonly used erection techniques. The main difference between Unitized & Semi Unitized System is that the unitized wall is installed as a sequence of factory-assembled frames, with interlocking mullions and transoms, and the semi-unitized wall is installed on site, after being fabricated in the factory. Structural glazing systems provide a flush glass surface. Only a narrow silicone joint remains visible between the insulated/single glass panes and can be possible with pressure plate and cover-cap system on the outer surface of the glass as well. With its unrivalled stability and safety, this innovative product allows architects to build entire structures out of glass, allowing architects design flexibility to create bright and highly attractive working environments, with more light and a greater feeling of space. We offer an extensive range of Commercial Façade Curtain Wall Framing for any application on your Commercial Project throughout India.



Structural Glazing



Classic Spider Glazing

SPIDER GLASS is a modern solution for exterior bolted glass assemblies, which secures the glazing support structure by means of point-fixings. high-grade stainless fixings are designed absorb static and dynamic loads (i.e. the dead weight of glass, wind loading, snow loads and differential expansion to temperature difference) and distribute them to the support. SPIDER GLASS is a for bolted structures.

The package includes glass, fixings, fasteners spider brackets connection the structure. With the assistance our dedicated and skilled professionals. we install and supply Glazing. reckoned their precise features. Our range is featured with weather resistance abrasion resistance that makes this range popular amongst the clients.



er Glazing



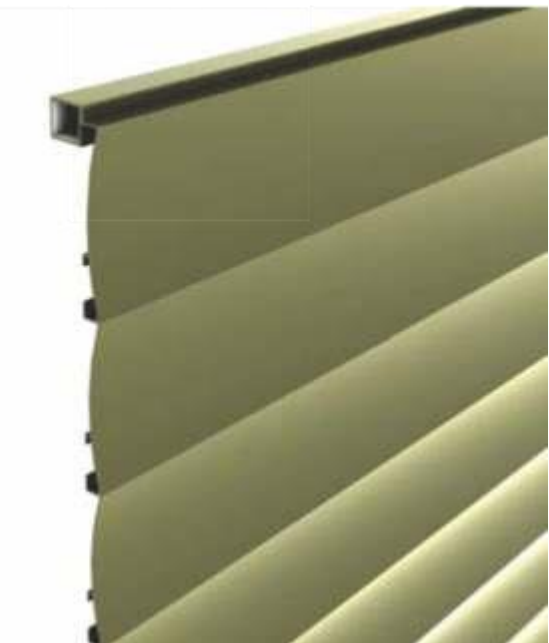
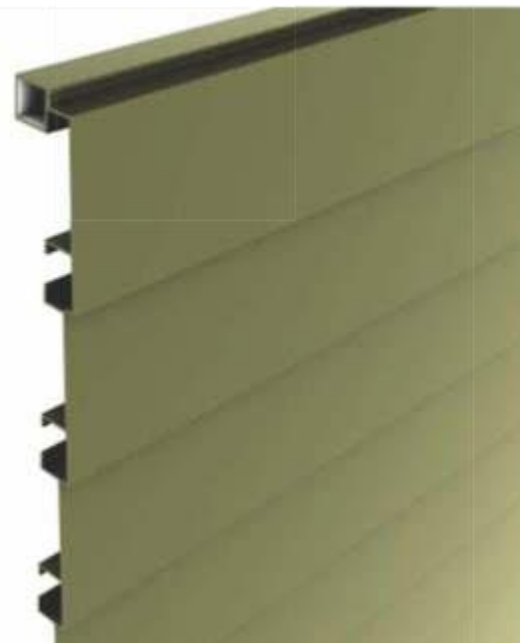
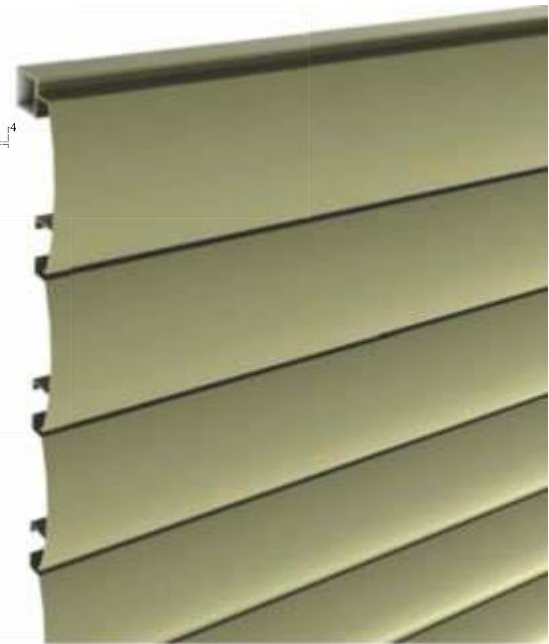
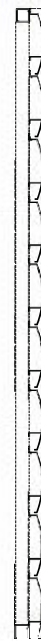
Features:

- Excellent adaptation to all weather.
- Large and fully smooth glazed area.
- Doors and windows can be inserted in our spider glass facades.

Classic - TRENDZ

METAL CLADDINGS

Cladding (sometimes referred to as panelling) is most commonly applied to the exterior walls of buildings and is used for a variety of purposes; to transform the exterior of a property, provide protection from the natural elements, to help insulate a building or to match the appearance of an extension with the rest of the house. A variety of materials can be used for cladding. If you want to experiment with unusual cladding materials, **Klassique** offers a wide variety of cladding accordingly to the client's need.



We excel in offering various innovative claddings in facades



HPL Cladding

HPL is a decorative high pressure compact laminate. The play of shadows and reflections on the metallic façade gives liveliness to the façade responding to its surroundings. Exterior rainscreen cladding or high pressure laminate has become an increasingly popular feature to enhance the appearance of a ventilated facade. Our expert team offers the client on his requirement the HPL advantage also.



Zinc Cladding

Zinc is produced specifically for covering facades in the service and residential sector. Zinc wall cladding are now being specified for commercial, public and residential projects. Zinc is a natural material that lasts forever, requires no maintenance, has superior aesthetic qualities with a natural patina, it's affordable, easy to bend and shape, and it's green. It is long lasting, flexible, coloured and prestigious.





Terracotta Cladding

Glazed architectural terracotta offers a modular, varied and relatively inexpensive approach to wall and facade construction. It was particularly adaptable to vigorous and rich ornamental detailing. Terra-cotta is an enriched molded clay brick or block. It was usually hollow cast in blocks which were open in the back, with internal stiffeners called webbing. Webbing substantially strengthened the hollow blocks with minimal weight increase. The blocks were finished with a glaze, with a clay wash or an aqueous solution of metal salts, before firing. Klassique offers terracotta cladding available in a diverse range of colors and format sizes, engineered for project-specific criteria.



ACP Cladding

Aluminum Composite Panel Cladding (ACP) is a widely-used term, describing flat panels that consist of thermoplastic core bonded between two aluminum sheets. Aluminum composite panels are available in various thicknesses and various brands. With Klassique, key features of this product are attractive designs, durability, longevity, smooth surface, high tolerance and easy installation to name a few. Its high demand for its latest design and industry leading price, these claddings are great value for money.



Clients can avail all these façade innovations in customized forms as per their requirements. The façade variations available worldwide can be provided by Klassique with the help of its latest upgraded technology based infrastructure and exposure through available international innovations and inventions.

- Team Classic is a developer and manufacturer of windows with blinds in insulating glass systems.
- It provides innovative shading solutions for high performance, in best quality standard, or completely custom made.
- We have an experience of more than 24 years of technical expertise in the glass and glazing industry.





Window planet

Engineered System Windows & Doors
aluminium-upvc
Better Living...

Team Classic

Classic Tower, 267, New Atish Market, Opp. Sunny Mart,
Gopalpura Bypass, Jaipur - 302020
Works: DTA 005 - 010 Mahindra world city,
ajmer road Jaipur

www.teamclassic.in | www.windowplanet.in
admin@teamclassic.in | sales@teamclassic.in
0141 - 2394671, +91 9784010168, 8947888890

